

# Addendum No. 1

April 23, 2023

## CSI Diesel Mechanics Facility

This addendum addresses the following:

- Bidder Questions
- Construction Document Revisions
- Addition of Preliminary Construction Schedule

Attachments

- Revised Bid Packages
- Preliminary Construction Schedule
- INTEGRUS Addendum No. 1, Dated April 22, 2024

End of Add. No. 1

CSI Diesel Mechanics Facility - Addendum No. 1				
Bids to Starr Corporation by May 2, 2024 at 2:00PM				
Bid Package No.	Package Description	Spec Section	Description	Additional Comments - (All items include material, labor, and equipment for installation, unless noted otherwise). Addendum No. 1 comments in red text.
<b>BP-01 CONCRETE</b>				
	Concrete	Division	GENERAL REQUIREMENTS	All sections to be included in their entirety.
	Concrete	031000	Concrete Forming & Accessories	
	Concrete	032000	Concrete Reinforcing	
	Concrete	033000	Cast-In-Place Concrete	Excavation and backfill included. Placement of gravel base under the building SOG is included in this package. Gravel supplied by others. Includes supply and installation of interior and exterior bollards. Includes installation of anchor bolts provided by others.
	Concrete	033500	Concrete Finishing	Concrete sealer by others.
	Concrete	033900	Concrete Curing	
	Concrete	036000	Grouting	
	Concrete	071100	Damproofing	
	Concrete	072113	Board Insulation	Foundation insulation only.
	Concrete	079000	Joint Protection	Applicable to this scope of work, only.
	Concrete	321313	Concrete for Exterior Improvements	Includes all site concrete. Concrete mow curb for landscape by others. Includes concrete foundation and steel post install for screen fence. Steel posts provided by others. <i>Concrete for canopy shade structure to be included in alternate #3.</i>
<b>BP-02 MASONRY</b>				
	Masonry	Division	GENERAL REQUIREMENTS	All sections to be included in their entirety.
	Masonry	040503	Masonry Mortaring and Grouting	
	Masonry	042019	Veneer Unit Masonry	Base and thru wall flashing included. Steel lintels furnished and installed by others.
	Masonry	079000	Joint Protection	Applicable to this scope of work, only.
<b>BP-03 METAL BUILDING SYSTEMS</b>				
	Metal Building Systems	Division 1	GENERAL REQUIREMENTS	All sections to be included in their entirety.
	Metal Building Systems	051200	Structural Steel Framing	Includes all tube steel framed openings, lintels, steel mezzanine, interior metal wall panels, and steel for roof screen. Screen fence steel structure included. Screen fence posts to be provided to concrete contractor to install in concrete pier.
	Metal Building Systems	053123	Steel Roof Decking	
	Metal Building Systems	055000	Metal Fabrications	
	Metal Building Systems	055200	Metal Railings	
	Metal Building Systems	072130	Pre-Engineered Building Insulation	
	Metal Building Systems	108213	Roof Screens	
	Metal Building Systems	133419	Metal Building Systems	Includes bridge crane support beam as indicated on sheet S102B and shown in elevation -5/S201. Continuous edge support member per details 7-12 on sheet S302 included. Structure for roof screen by others. The roof screen will be connected to the PEMB structure. Includes metal panels for fence. <i>Canopy shade structure and panels to be included in alternate #3.</i>
	<b>Metal Building Systems</b>	<b>146000</b>	<b>Cranes &amp; Hoists</b>	<b>Bridge crane shown on drawing A101B. This packages is also inclusive of the installation of Jib Cranes and the Dyno that are supplied by the owner. Jib Cranes and Dyno shown on drawing A101C.</b>
	Metal Building Systems	079000	Joint Protection	
<b>BP-04 ROUGH CARPENTRY</b>				
	Rough Carpentry	Division	GENERAL REQUIREMENTS	All sections to be included in their entirety.
	Rough Carpentry	061053	Miscellaneous Rough Carpentry	Includes plywood and 2x furring & blocking at top of parapet walls.
	Rough Carpentry	062000	Finish Carpentry	Plywod Wall Sheathing

	Rough Carpentry	079000	Joint Protection	Applicable to this scope of work, only.
<b>BP-05 MILLWORK</b>				
	Millwork	Division	GENERAL REQUIREMENTS	All sections to be included in their entirety.
	Millwork	064100	Architectural Woodwork	Includes backing as needed for cabinets and tops.
	Millwork	066500	Solid Surfacing	
	Millwork	079200	JOINT SEALANTS	Applicable to this scope of work, only.
<b>BP-06 ROOFING</b>				
	Roofing	Division	GENERAL REQUIREMENTS	All sections to be included in their entirety.
	Roofing	074213	Metal Wall Panels/Siding	
	Roofing	075305	Elastomeric Membrane Roofing	Includes Guaranty and Warranty per specifications.
	Roofing	076200	Sheet Metal Flashing & Trim	
	Roofing	077100	Roof Specialties	
	Roofing	077233	Roof Hatches	
	Roofing	079000	Joint Protection	Applicable to this scope of work, only.
<b>BP-07 DOORS &amp; HARDWARE</b>				
	Doors and Hardware	Division	GENERAL REQUIREMENTS	All sections to be included in their entirety.
	Doors and Hardware	081214	Standard Steel Frames	Supply & Install
	Doors and Hardware	081314	Standard Steel Doors	Supply & Install
	Doors and Hardware	081416	Flush Wood Doors	Supply & Install
	Doors and Hardware	087100	Door Hardware	Hardware for this scope of work, only. Supply & Install.
<b>BP-08 OVERHEAD COILING DOORS</b>				
	Overhead Coiling Doors	Division	GENERAL REQUIREMENTS	All sections to be included in their entirety.
	Overhead Coiling Doors	083323	Overhead Coiling Doors	
	Overhead Coiling Doors	083613	Sectional Doors	
	Overhead Coiling Doors	079000	Joint Protection	Applicable to this scope of work, only.
<b>BP-09 ALUMINUM FRAMED ENTRANCES &amp; STOREFRONTS</b>				
	Aluminum Framed Entrances & Storefronts	Division 1	GENERAL REQUIREMENTS	All sections to be included in their entirety.
	Aluminum Framed Entrances & Storefronts	084113	Aluminum Framed Entrances and Storefronts	Storefront at north wall of On-Road Diesel to be included in Alternate #1.
	Aluminum Framed Entrances & Storefronts	087100	Door Hardware	Hardware for this scope of work, only.
	Aluminum Framed Entrances & Storefronts	088000	Glazing	Includes all glazing for steel and wood doors and frames.
	Aluminum Framed Entrances & Storefronts	079000	Joint Protection	Applicable to this scope of work, only.
<b>BP-10 GYPSUM BOARD SYSTEMS</b>				
	Gypsum Board Systems	Division	GENERAL REQUIREMENTS	All sections to be included in their entirety.
	Gypsum Board Systems	054000	Cold-Formed Metal Framing	
	Gypsum Board Systems	061600	Sheathing	
	Gypsum Board Systems	066400	Plastic Paneling	
	Gypsum Board Systems	072113	Board Insulation	For exterior wall application.
	Gypsum Board Systems	072116	Blanket Insulation	
	Gypsum Board Systems	072500	Weather Barriers	
	Gypsum Board Systems	072726	Fluid Applied Weather Barriers	
	Gypsum Board Systems	092116	Gypsum Board Assemblies	
	Gypsum Board Systems	092216	Non-Structural Metal Framing	
	Gypsum Board Systems	095113	Acoustical Panel Ceilings	
	Gypsum Board Systems	095423	Linear Metal Ceilings	
	Gypsum Board Systems	079000	Joint Protection	Includes all joint sealants as applicable for this scope of work. Also includes all expansion joint covers.
<b>BP-11 CERAMIC TILING</b>				
	Ceramic Tiling	Division	GENERAL REQUIREMENTS	All sections to be included in their entirety.
	Ceramic Tiling	093000	Tiling	Joint and crack filling, minor leveling, and sanding is included.
	Ceramic Tiling	079000	Joint Protection	Applicable to this scope of work, only.
<b>BP-12 FLOOR COVERING</b>				
	Flooring Covering	Division	GENERAL REQUIREMENTS	All sections to be included in their entirety.
	Flooring Covering	096500	Rubber Base	Includes all base throughout building.
	Flooring Covering	096813	Tile Carpeting	
	Flooring Covering	079000	Joint Protection	Applicable to this scope of work, only.
<b>BP-13 PAINTING</b>				
	Painting	Division	GENERAL REQUIREMENTS	All sections to be included in their entirety.
	Painting	033500	Concrete Finishing	Concrete sealer only.
	Painting	099000	Painting and Coating	Includes painting of all exterior un-finished metals.

	Painting	079000	Joint Protection	Applicable to this scope of work, only. Includes joint sealant at all interior HM Frames.
<b>BP-14 SPECIALTIES</b>				
	Specialties	Division	GENERAL REQUIREMENTS	All sections to be included in their entirety.
	Specialties	101100	Visual Display Surfaces	
	Specialties	101400	Signage	others.
	Specialties	102113	Toilet Compartments	
	Specialties	102227	Operable Panel Partition	2.
	Specialties	102600	Wall and Door Protection	
	Specialties	102800	Toilet, Bath, and Laundry Accessories	
	Specialties	104400	Fire Protection Specialties	
	Specialties	105113	Metal Lockers	
	Specialties	115131	Manually Operated Projection Screens	
	Specialties	079000	Joint Protection	Applicable to this scope of work, only.
<b>BP-15 ROLLER WINDOW SHADES</b>				
	Roller Window Shades	Division	GENERAL REQUIREMENTS	All sections to be included in their entirety.
	Roller Window Shades	124920	Roller Shades	
<b>BP-16 FIRE SPRINKLER SYSTEM</b>				
	Fire Sprinkler System	Division	GENERAL REQUIREMENTS	All sections to be included in their entirety.
	Fire Sprinkler System	210000	Fire Sprinklers	
	Fire Sprinkler System	079000	Joint Protection	Applicable to this scope of work, only.
	Fire Sprinkler System	083113	Access Doors and Frames	Applicable to this scope of work, only.
<b>BP-17 PLUMBING</b>				
	Plumbing	Division	GENERAL REQUIREMENTS	All sections to be included in their entirety.
	Plumbing	220500	Common Work Results for Plumbing	
	Plumbing	220504	Plumbing Specialties	
	Plumbing	220513	Common Motor Requirements for Plumbing Equipment	
	Plumbing	220516	Expansion Fittings and Loops for Plumbing Piping	
	Plumbing	220517	Sleeves and Sleeve Seals for Plumbing Piping	
	Plumbing	220519	Meters and Gauges for Plumbing Piping	
	Plumbing	220523	General Duty Valves for Plumbing Piping	
	Plumbing	220529	Hangers and Supports for Plumbing Piping and Equipment	
	Plumbing	220548	Vibration Isolation	
	Plumbing	220553	Identification for Plumbing Piping and Equipment	
	Plumbing	220700	Plumbing Insulation	
	Plumbing	220800	Commissioning of Domestic Water	
	Plumbing	221000	Plumbing Piping	Stub to five feet outside the building line and coordinate with site utilities as applicable for this scope of work. Includes excavation and backfill for underground natural gas piping after the gas meter in the mechanical yard.
	Plumbing	221500	General Service Compressed Air	
	Plumbing	223000	Plumbing Equipment	
	Plumbing	224000	Plumbing Fixtures	
	Plumbing	230516	Expansion Fittings and Loops for HVAC Piping	
	Plumbing	230517	Sleeves and Sleeve Seals for HVAC	
	Plumbing	230519	Meters and Gauges for HVAC Piping	
	Plumbing	230523	General Duty Valves for HVAC Piping	
	Plumbing	230529	Hanger and Supports for HVAC Piping and Fittings	
	Plumbing	232113	Hydronic Piping	
	Plumbing	232116	Hydronic Piping Specialties	
	Plumbing	232123	Hydronic Pumps	
	Plumbing	079000	Joint Protection	Applicable to this scope of work, only.
	HVAC	083113	Access Doors and Frames	Applicable to this scope of work, only.
<b>BP-18 HVAC</b>				
	HVAC	Division	GENERAL REQUIREMENTS	All sections to be included in their entirety.
	HVAC	230500	Common Work Results for HVAC	
	HVAC	230513	Common Motor Requirements for HVAC	
	HVAC	230548	Vibration Isolation	
	HVAC	230549	Seismic Criteria for Mechanical	

	HVAC	230553	Identification for HVAC Piping and Equipment	
	HVAC	230593	Testing, Adjusting, and Balancing	
	HVAC	230700	HVAC Insulation	
	HVAC	230800	Commissioning of HVAC Systems	
	HVAC	230923	Direct-Digital Control for HVAC	
	HVAC	230995	Variable Frequency Drives	
	HVAC	232300	Refrigerant Piping	
	HVAC	232500	HVAC Water Treatment	
	HVAC	233013	Air Handling Equipment Sound Levels	
	HVAC	233100	HVAC Ducts and Castings	
	HVAC	233300	Air Duct Accessories	
	HVAC	233400	HVAC Fans	
	HVAC	233516	Engine Exhaust Systems	
	HVAC	233600	Air Terminal Units	
	HVAC	233700	Air Outlets and Inlets	
	HVAC	234000	Air Cleaning Devices	
	HVAC	235100	Breechings, Chimneys, and Stacks	
	HVAC	235216	Condensing Boilers	
	HVAC	235505	Fuel Fired Unit Heaters	
	HVAC	237300	Central Station Air Handling Units	
	HVAC	238103	Packaged Ventilation Air Handling Units	
	HVAC	238126	Split System Air Conditioners	
	HVAC	238200	Convection Heating and Cooling Units	
	HVAC	079000	Joint Protection	Applicable to this scope of work, only.
	HVAC	083113	Access Doors and Frames	Applicable to this scope of work, only.
<b>BP-19 ELECTRICAL</b>				
	Electrical	Division	GENERAL REQUIREMENTS	All sections to be included in their entirety.
	Electrical	260500	Electrical General Provisions	
	Electrical	260502	Short-Circuit-Coordination Study-Arc Flash Hazard Analysis	
	Electrical	260519	Conductors and Cables	
	Electrical	260526	Grounding	
	Electrical	260533	Raceways and Boxes	
	Electrical	260543	Underslab and Underground Electrical Work	Includes all excavation and backfill for this scope of work. All boring, trenching, conduit installation, and backfill on the primary side of the new transformer for Idaho Power is not included. Conduit and conductors from the new Idaho Power transformer into the building are included.
	Electrical	260553	Identification for Electrical Systems	
	Electrical	260800	Commissioning of Lighting Systems	
	Electrical	262200	Dry Type Transformers	
	Electrical	262400	Distribution Switchboards	
	Electrical	262413	Main Switchboards	
	Electrical	262416	Panelboards	
	Electrical	262726	Wiring Devices	
	Electrical	262813	Fuses	
	Electrical	262815	Disconnect Switches	
	Electrical	265100	Interior Lighting	
	Electrical	265200	Emergency Lighting	
	Electrical	270533	Conduits and Backbones for Communication Systems	
	Electrical	271101	Telecom Raceway Systems	
	Electrical	271343	Communication Services Cabling	Includes boring or trenching/backfill for new communications underground to the HSHS and Tower.
	Electrical	281300	Access Control System	See door hardware packages in specification section 087100 for specific door hardware (By Security Contractor) included in this package.
	Electrical	282100	Surveillance Cameras	
	Electrical	282300	Video Management System	
	Electrical	283100	Fire Alarm System	
	Electrical	079000	Joint Protection	Applicable to this scope of work, only.
	Electrical	083113	Access Doors and Frames	Applicable to this scope of work, only.
<b>BP-20 EARTHWORK</b>				
	Earthwork	Division	GENERAL REQUIREMENTS	All sections to be included in their entirety. SURVEYING for this scope of work is included in this package.
		1		

	Earthwork	310000	Earthwork	Includes asbestos abatement and demolition of the pool house and swimming pool. Haul off and disposal of all debris and unused materials is included. Demolition of existing chain link fence by others. Includes building pad installed within +/- .1 of subgrade elevation. Excavation and backfill for building concrete is by others. Gravel base under building SOG to be furnished and stockpiled on site as part of this package. Gravel to be placed by others. Provide and place gravel base for site concrete, asphalt, and all gravel for gravel surfacing areas. Fine grading of gravel to within +/- .1' of final gravel grade. Landscape areas to also be finished within +/- .1' as part of this package. Includes furnish and install of concrete K-Rails. All bollards by others. <i>Piping of existing canal is to be bid as alternate #4. Not to be included in base bid.</i>
	Earthwork	310519.13	Geotextiles for Earthwork	
	Earthwork	311100	Clearing and Grubbing	Includes all site grading.
	Earthwork	312333	Trenching & Backfill	Install all site utility piping. Domestic water and sanitary sewer piping is to be installed to within 5' of building and connected to piping stubbed out by others. Fire riser supply piping is to be installed by site contractor and is to terminate 1' AFF. Includes demolition and relocation of existing utilities. Installation of the sand and grease trap at the wash bay is included. Installation of oil-water separator by others. Installation of sleeves for irrigation is included. Includes all storm drain systems and piping. Includes foundation drain around the building. Shaping and grading of swales is included. Trenching and Backfill for underground electrical by electrician.
	Earthwork	321216	Asphalt Paving	
	Earthwork	321723	Pavement Markings	Includes all site signage per civil drawings.
<b>BP-21 Chain Link Fences and Gates</b>				
	Chain Link Fences and Gates	Division	GENERAL REQUIREMENTS	All sections to be included in their entirety.
	Chain Link Fences and Gates	323113	Chain Link Fences and Gates	New chain link fence and gates. Includes remove of existing fence for reuse. Metal panel fence by others.
<b>BP-22 LANDSCAPING &amp; IRRIGATION</b>				
	Landscaping & Irrigation	Division	GENERAL REQUIREMENTS	All sections to be included in their entirety.
		328400	Planting Irrigation	Includes concrete thrust blocks as applies to this scope.
	Landscaping & Irrigation	329113	Soil Preparation	Landscape areas to have soils placed within +/- .1' of final grade by others. All compost and soil amending included in this package.
	Landscaping & Irrigation	329200	Turf and Grasses	
	Landscaping & Irrigation	329300	Plants	Includes decorative rock mulch and boulders. Concrete mow curb included in this package. Also includes all site benches, trash bins, and bike rack.

Activity ID	Activity Name	Original Duration	Activity % Complete	Start	Finish	2024												2025											
						May	Jun	Jul	Aug	Sep	Oct	Nov	Dec	Jan	Feb	Mar	Apr	May	Jun	Jul	Aug	Sep	Oct	Nov	Dec				
<b>CSI - Diesel Mechanics Facility - Preliminary Schedule</b>						16-Sep-25, CSI - Diesel Me																							
<b>Programming/Site Concept</b>						24, Programming/Site Concept																							
<b>Schematic Design</b>						Schematic Design																							
<b>Design Development</b>						gn:Development																							
<b>Construction Documents</b>						24, Construction Documents																							
<b>Pre/Post Construction</b>						16-Sep-25, Pre/Post Constr																							
A1290	Bid Packages Complete	10	0%	06-Feb-24	19-Feb-24	Complete																							
A1430	Review Bid Packages	10	0%	20-Feb-24	04-Mar-24	Packages																							
A1180	Bidding	19	0%	08-Apr-24*	02-May-24	Bidding																							
A1292	Groundbreaking Ceremony	1	0%	19-Apr-24*	19-Apr-24	Groundbreaking Ceremony																							
A1181	Review Bids	5	0%	03-May-24	09-May-24	Review Bids																							
A1182	GMP Negotiations & Contract	5	0%	10-May-24	16-May-24	GMP Negotiations & Contract																							
A1183	Subcontracts	5	0%	17-May-24	23-May-24	Subcontracts																							
A1199	PEMB Shop Drawings	40	0%	24-May-24	22-Jul-24	PEMB Shop Drawings																							
A1300	Electrical Gear Submittals	15	0%	24-May-24	14-Jun-24	Electrical Gear Submittals																							
A1310	Electrical Gear Procurement	260	0%	17-Jun-24	19-Jun-25	Electrical Gear Procurement																							
A1201	PEMB Procurement	90	0%	23-Jul-24	26-Nov-24	PEMB Procurement																							
A1420	Substantial Completion	1	0%	31-Jul-25	31-Jul-25	Substantial Completion																							
A1410	Commissioning	30	0%	01-Aug-25	11-Sep-25	Commissioning																							
A1550	Punch List	10	0%	01-Aug-25	14-Aug-25	Punch List																							
A1440	Final Completion - Owner Move In	30	0%	05-Aug-25	15-Sep-25	Final Completion - Owner M																							
A1560	Owner Occupy	1	0%	16-Sep-25	16-Sep-25	Owner Occupy																							
<b>Site</b>						10-Jul-25, Site																							
A1190	Clear & Grub Site	10	0%	24-May-24*	07-Jun-24	Clear & Grub Site																							
A1610	Build Building Pad	5	0%	10-Jun-24	14-Jun-24	Build Building Pad																							
A1200	Excavate for Footings & Foundations	10	0%	17-Jun-24	28-Jun-24	Excavate for Footings & Foundations																							
A1202	Site Utilities	20	0%	01-Jul-24	29-Jul-24	Site Utilities																							
A1282	Storm Water Systems	20	0%	30-Jul-24	26-Aug-24	Storm Water Systems																							
A1222	Alt. # 4 Concrete Culvert	15	0%	27-Aug-24	17-Sep-24	Alt. # 4 Concrete Culvert																							
A1242	Concrete Washbay	15	0%	18-Sep-24	08-Oct-24	Concrete Washbay																							
A1192	Site Concrete	30	0%	25-Apr-25	05-Jun-25	Site Concrete																							
A1272	Alt. # 3 Outdoor Covered Area	15	0%	25-Apr-25	15-May-25	Alt. # 3 Outdoor Covered Area																							
A1193	Site Paving	15	0%	23-May-25	12-Jun-25	Site Paving																							
A1194	Landscaping	30	0%	30-May-25	10-Jul-25	Landscaping																							
A1212	Fencing	8	0%	13-Jun-25	24-Jun-25	Fencing																							
A1232	Place K Rail	2	0%	13-Jun-25	16-Jun-25	Place K Rail																							
A1252	Asphalt Striping & Site Signage	5	0%	13-Jun-25	19-Jun-25	Asphalt Striping & Site Signage																							
<b>Construction</b>						30-Jul-25, Construction																							
A1210	Footings & Foundations	20	0%	24-Jun-24	22-Jul-24	Footings & Foundations																							
A1220	Backfill	5	0%	23-Jul-24	29-Jul-24	Backfill																							
A1230	Under Slab Utilities	15	0%	30-Jul-24	19-Aug-24	Under Slab Utilities																							
A1240	Concrete Slabs	20	0%	20-Aug-24	17-Sep-24	Concrete Slabs																							
A1262	PEMB Erection	75	0%	27-Nov-24	13-Mar-25	PEMB Erection																							
A1260	PEMB Wall Insulation & Panels	30	0%	21-Feb-25	03-Apr-25	PEMB Wall Insulation & Panels																							
A1270	Steel Stud Framing	25	0%	21-Feb-25	27-Mar-25	Steel Stud Framing																							
A1490	Steel Columns/Headers/Lintel Install	15	0%	21-Feb-25	13-Mar-25	Steel Columns/Headers/Lintel Install																							
A1570	Mezzanine Steel Erection	8	0%	14-Mar-25	25-Mar-25	Mezzanine Steel Erection																							
A1261	PEMB Roof Insulation & Panels	30	0%	21-Mar-25	01-May-25	PEMB Roof Insulation & Panels																							

█ Actual Work   
 █ Critical Remaining Work   
 ▶ Summary  
█ Remaining Work   
 ◆ Milestone

Activity ID	Activity Name	Original Duration	Activity % Complete	Start	Finish	2024												2025											
						May	Jun	Jul	Aug	Sep	Oct	Nov	Dec	Jan	Feb	Mar	Apr	May	Jun	Jul	Aug	Sep	Oct	Nov	Dec				
A1460	Exterior Wall Sheathing Area A	5	0%	21-Mar-25	27-Mar-25																			■ Exterior Wall Sheathing Area A					
A1280	Doors & Windows	10	0%	28-Mar-25	10-Apr-25																			■ Doors & Windows					
A1450	Membrane Roofing	12	0%	28-Mar-25	14-Apr-25																			■ Membrane Roofing					
A1480	Brick & Siding Area A	20	0%	28-Mar-25	24-Apr-25																			■ Brick & Siding Area A					
A1580	Coiling & Sectional Doors	15	0%	28-Mar-25	17-Apr-25																			■ Coiling & Sectional Doors					
A1320	MEP Rough-in Area A	20	0%	15-Apr-25	12-May-25																			■ MEP Rough-in Area A					
A1500	MEP Rough-In Area B&C	25	0%	02-May-25	05-Jun-25																			■ MEP Rough-In Area B&C					
A1530	Plywood and Steel Walls	10	0%	02-May-25	15-May-25																			■ Plywood and Steel Walls					
A1470	Wall Insulation Area A	5	0%	13-May-25	19-May-25																			■ Wall Insulation Area A					
A1330	Gypsum Board Systems	25	0%	20-May-25	23-Jun-25																			■ Gypsum Board Systems					
A1510	MEP Trim Area B&C	25	0%	06-Jun-25	10-Jul-25																			■ MEP Trim Area B&C					
A1340	Paint	15	0%	17-Jun-25	07-Jul-25																			■ Paint					
A1350	Millwork & Countertops	5	0%	01-Jul-25	07-Jul-25																			■ Millwork & Countertops					
A1380	Acoustical Panels and Grid	8	0%	01-Jul-25	10-Jul-25																			■ Acoustical Panels and Grid					
A1520	Metal Panel Ceilings	5	0%	01-Jul-25	07-Jul-25																			■ Metal Panel Ceilings					
A1360	Flooring	5	0%	08-Jul-25	14-Jul-25																			■ Flooring					
A1540	Ceramic Wall Tile	10	0%	08-Jul-25	21-Jul-25																			■ Ceramic Wall Tile					
A1590	Bridge Crane Installation	10	0%	11-Jul-25	24-Jul-25																			■ Bridge Crane Installation					
A1600	Jib Crane Installation	10	0%	11-Jul-25	24-Jul-25																			■ Jib Crane Installation					
A1370	MEP Trim Area A	12	0%	15-Jul-25	30-Jul-25																			■ MEP Trim Area A					
A1400	Doors & Hardware	10	0%	15-Jul-25	28-Jul-25																			■ Doors & Hardware					
A1390	Toilet & Bathroom Accessories	5	0%	24-Jul-25	30-Jul-25																			■ Toilet & Bathroom Accessories					



## Addendum 1

Date: April 22, 2024

Project: CSI: Automotive/Agricultural Diesel Mechanics Facility

The additions, clarifications and corrections herein shall be made to the Project Manual, Drawings and Schedules for the above-referenced project, and shall be included in the scope of work and proposals to be submitted.

NOTE: References made below to the Project Manual and Drawings shall be used as a general guide only. The Bidders themselves shall determine the work affected by the Addendum items.

### **GENERAL INFORMATION**

The bridge crane in Ag Diesel Lab 125 shall be HOJ Engineering and Sales, LLC 10-Ton Top-Riding Single Girder Crane. Crane rails shall be provided by the Pre-Engineered Metal Building Manufacturer.

### **PROJECT MANUAL ITEMS**

Item #PM1      SECTION 06 20 00 – FINISH CARPENTRY

Add. #1      Interior plywood panels called out on the drawings as “PWD” shall be standard 3/4 in. x 4 ft. x. 8 ft Grade A Plywood. Faces shall be sanded smooth. Fill holes, indentions, and fastener holes with oil base tinted filler to match base finish. Apply Clear Finish per specification section 09 90 00.

Item #PM2      SECTION 08 33 23 – OVERHEAD COILING DOORS

Add. #1      Paragraph 2.1 Insulated Overhead Coiling Shutter, sub-paragraph G.: Finish of Bottom Bar, Guides, Headplate and Brackets shall be selected from manufacturers standard colors.

Item #PM3      SECTION 08 36 13 – SECTIONAL DOORS

Add. #1      Replace specification section in project manual with attached specification Section 08 36 13 Sectional Doors.

Item #PM4      SECTION 14 60 00 – CRANES AND HOISTS

Add. #1      Add attached Section 14 60 00 – Cranes and Hoists to the project manual.

Item #PM5      APPROVAL OF SUBSTITUTIONS

Add. #1      The following is a list of accepted manufacturers which may be substituted for those in the specifications.

### **ADDENDUM 1**

CSI: Automotive/Agricultural Diesel Mechanics Facility

Page No. 1

This approval is an approval of quality only. No attempt has been made to check each item or material as to special features, capacities, or physical dimensions especially required for this project. It shall be the responsibility of the supplier, manufacturer, and contractor to check all requirements before submitting for final approval. Final approval of exact features, sizes, capacities, etc., all of which must match materials indicated/specified, will be determined when submitted during construction period. Certain approvals are subject to conditions as noted.

Section #	Product	Approved Manufacturer	Model #
07 42 13	Metal Wall Panel/Siding	Drexel Metals	DMC FWQ100
08 33 23	Overhead Coiling Doors	Wayne Dalton	800C ADV
08 36 13	Sectional Overhead Doors	Wayne Dalton	Thermomark 530
12 49 20	Roller Shades	Alta Window Fashions	2390 RS1-102
23 21 16	Air & Dirt Separator	Thrush Co.	TBSR-020-W
23 21 16	Expansion Tank	Wessels	NTA-100

## **DRAWING ITEMS**

### **CIVIL**

Item #C1      C100 – DEMOLITION PLAN  
 Add. #1      Demolition/clear & grub limits adjusted to include city frontage improvements.

Item #C2      C101 – SITE PLAN  
 Add. #1      Addition of city frontage improvements.

Item #C3      C201 – GRADING PLAN  
 Add. #1      A. Acronym TOB has been revised to read “top of bank”.  
                   B. Grading updated to include city frontage improvements.

Item #C4      C300 - RING ROAD PLAN & PROFILE  
 Add. #1      Grade across E-W crosswalk revised to accommodate ADA grades along city frontage improvements.

Item #C5      C401 - CIVIL UTILITY PLAN

Add. #1 Waterline alignment updated to add waterline loop connection at HSHS building.

Item #C6 C402 – CIVIL UTILITY PLAN

Add. #1 Waterline alignment updated to add waterline loop connection at HSHS building.

Item #C7 C403 – CANAL PIPING PLAN & PROFILE

Add. #1 Plan and profile updated to retain existing RCP crossing under new ring road.

Item #C8 C503 – CIVIL DETAILS

Add. #1 Updated to include city frontage improvements typical section and typical rolled curb details.

## **ARCHITECTURAL**

Item #A1 A600 – DOOR WINDOW AND FRAME TYPES

Add. #1 Refer to note above door types on A600 stating: "SEE ELEVATIONS FOR VISION PANEL CONFIGURATION AND QUANTITY" Refer to drawing exterior and interior elevations for glazing layout of overhead doors.

Item #A2 A672 – DETAILS - INTERIOR

Add. #1

- A. Detail #15: Replace "Backing Strips" with "20 Gage flat strapping."
- B. Detail #15 & #16: At the shop spaces remove the strapping and add a girt at 4'-0" A.F.F. to secure the attachment of the metal panels and/or plywood panels. At locations where the metal panel or plywood panels are attached to drywall, the strapping will remain attached to the stud walls to maintain that attachment pattern per the detail.

Attachments: Specification Section 08 36 13 – Sectional Doors  
Specification Section 14 60 00 – Cranes and Hoists  
Drawing C100 – Demolition Plan  
Drawing C101 – Site Plan  
Drawing C201 – Grading Plan  
Drawing C300 – Ring Road Plan & Profile  
Drawing C401 – Civil Utility Plan  
Drawing C402 - Civil Utility Plan  
Drawing C403 – Canal Piping Plan & Profile  
Drawing C503 – Civil Details

## **END OF ADDENDUM 1**

## **SECTION 08 36 13**

### **SECTIONAL DOORS**

#### **PART 1 GENERAL**

##### 1.1 SUMMARY

- A. Section includes electric overhead sectional door and operating hardware,

##### 1.2 REFERENCES

- A. ASTM International:
  - 1. ASTM A653/A653M - Standard Specification for Steel Sheet, Zinc-Coated (Galvanized) or Zinc-Iron Alloy-Coated (Galvannealed) by the Hot-Dip Process.
  - 2. ASTM A924/A924M - Standard Specification for General Requirements for Steel Sheet, Metallic-Coated by the Hot-Dip Process.
  - 3. ASTM E330 - Standard Test Method for Structural Performance of Exterior Windows, Curtain Walls, and Doors by Uniform Static Air Pressure Difference.
- B. Door and Access Systems Manufacturers Association International:
  - 1. DASMA 102 - Specifications for Sectional Overhead Type Doors.
- C. National Electrical Manufacturers Association:
  - 1. NEMA MG 1 - Motors and Generators.
- D. National Fire Protection Association:
  - 1. NFPA 255 - Standard Method of Test of Surface Burning Characteristics of Building Materials.
- E. Underwriters Laboratories Inc.:
  - 1. UL 723 - Tests for Surface Burning Characteristics of Building Materials.

##### 1.3 SYSTEM DESCRIPTION

- A. Panels: Flush steel, insulated.
- B. Lift Type: High lift operating style with lift clearance track and hardware.
- C. Operation: Electric.

##### 1.4 SUBMITTALS

- A. Section 01 33 00 - Submittal Procedures: Submittal procedures.
- B. Shop Drawings: Indicate opening dimensions and required tolerances, connection details, anchorage spacing, hardware locations, and installation details.
- C. Product Data: Submit component construction, anchorage method, and hardware.
- D. Manufacturer's Installation Instructions: Submit special procedures, and perimeter conditions requiring special attention.

##### 1.5 CLOSEOUT SUBMITTALS

- A. Section 01 77 00 - Closeout procedures.

- B. Operation and Maintenance Data:
  - 1. Include electrical control adjustment recommendations.
  - 2. Include data for motor and transmission, shaft and gearing, lubrication frequency, periodic adjustments required, and spare part sources.

## 1.6 QUALITY ASSURANCE

- A. Perform Work in accordance with DASMA 102, Application Type Commercial.
- B. Products Requiring Electrical Connection: Listed and classified by Underwriters Laboratories, Inc., as suitable for purpose specified.
- C. Surface Burning Characteristics:
  - 1. Foam Insulation: Maximum 75/450 flame spread/smoke developed index when tested in accordance with NFPA 255 UL 723.

## 1.7 QUALIFICATIONS

- A. Manufacturer: Company specializing in manufacturing products specified in this section with minimum three years documented experience.
- B. Installer: Company specializing in performing Work of this section with minimum three years experience approved by manufacturer.

## 1.8 WARRANTY

- A. Section 01 77 00 – Closeout Procedures: Submittal of Product Warranties.
- B. Furnish 3 year manufacturer warranty for electric operating equipment.

## PART 2 PRODUCTS

### 2.1 SECTIONAL OVERHEAD DOORS

- A. Manufacturers:
  - 1. Raynor Garage Door.
  - 2. American Garage Door Supply Inc.
  - 3. Overhead Door Company.
  - 4. Wayne Dalton
  - 5. Substitutions: Section 01 60 00 - Product Requirements.
- B. Product Description: Steel overhead sectional doors, electric operation, stock configuration and hardware.
  - 1. Door Nominal Thickness: 3 inches thick.

### 2.2 DOOR OPERATOR

- A. Provide doors designed for manual and electric motor operation.
  - 1. Door 126B Shall be manual operation only, exclude electric operator
- B. Manufacturer Product Designation:
  - 1. Raynor Control Hoist 2.0 Optima:
  - 2. Type: Jackshaft
  - 3. Motor Horsepower Rating: Continuous HP as determined by manufacturer for size of door.
  - 4. Electrical Requirements: 115 Volt Single Phase.

5. Duty Cycle: 30 cycles/hour.
6. Control Wiring: 24 volt control with provisions for connection of safety edge or safety eye to reverse and external radio control hook-up. Three button momentary contact "open-close-stop".
7. All low voltage control wiring to be ran in EMT including wiring to electric safety eye.

C. Wire Doors to open independently and together.

### 2.3 DOOR SECTIONS

- A. Material: Steel sandwich construction, 3 inches (76.2 mm) thick, roll from commercial quality, hot-dipped galvanized steel ASTM A 924 and ASTM 653. Exterior and interior section skins to be constructed of 25 gauge steel (0.017 inch minimum thickness) embossed stucco texture, mechanically interlocked and pressure bonded to a 2-7/8 inches (73 mm) thick, extruded polystyrene closed cell foam core. Hinge reinforcement plates shall be of 14 gauge edge plates and 16 gauge center plates, located within section interior at every hinge location. End stiles to be 14 gauge, separated from the exterior skin by a vinyl thermal break.
- B. Mounting: Sections mounted in door opening using Lap Jamb Angel Mounting: section overlap door jambs by 1 inch (25 mm) on each side of door opening Between-Jamb Bracket Mounting: sections mounted between door jambs, seal against perimeter seal installed along vertical and top horizontal edges of jambs.
- C. Insulation: Extruded polystyrene closed cell foam core, R-value of 16.0 and U-value of 0.062.
- D. Seals: Interior and exterior skins to be separated by continuous dual durometer vinyl seal held in place by mechanical interlock to form thermal break and complete weatherseal along section joint. Top of door to be provided with EPDM rubber sealing strip. Bottom of door to have flexible U-shape vinyl seal retained in aluminum rail.
- E. Trussing: Floors designed to withstand specified windload. Deflection of door in horizontal position to be maximum of 1/120<sup>th</sup> of door width.
- F. Color: Exterior skin to have two coats of paint, one primer coat and one finish coat. Color as selected by architect from manufacturer full range of colors.
- G. Windows: Locations to comply with door elevation drawings. Glazing sections shall be aluminum full vision sections with vertical mullions as minimally required by door manufacturer
- H. Glazing: Windows to be provided with 5/8 inch (16 mm) thick insulated glazing units as follows:
  1. Glass consisting of two panes of 1/8 inch (3.2 mm) thick tempered glass.

### 2.4 TRACK

- A. Material: Hot-dipped galvanized steel (ASTM A-653), fully adjustable for adequate sealing of door to jamb or weatherseal.
- B. Configuration Type: Lift-Standard
- C. Size: 3 inches.

- D. Mounting: Floor-to-Shaft Angle-Mount consisting of continuous angle extending from the floor, past header, completely up to door shaft for use with steel, wood, or masonry jambs. Continuous angle size not less than 2-5/16 inches by 5 inches x 3/32 inch on 2-inch track.
- E. Finishing: Galvanized metal track

## 2.5 COUNTERBALANCE SYSTEM

- A. Type: Provided with aircraft-type, galvanized steel lifting cables with minimum safety factor of 5. Torsion Springs consisting of heavy-duty oil-tempered wire torsion springs on a continuous ball-bearing cross-header shaft, Weight Counterbalance for lift clearance and vertical lift type configurations.

## 2.6 HARDWARE

- A. Hinges and Brackets: Fabricated from galvanized steel.
- B. Track Rollers: 3 inches diameter consistent with track size, with hardened steel ball bearings.
- C. Perimeter Seal: Provide complete weather stripping systems to reduce air infiltration. Weather stripping shall be replaceable without removal of track, mounting hardware, or door hardware. For bracket mounted doors provide climate seal or vinyl seal with aluminum retainer.
- D. Locks: Furnish manual operation doors with slide lock. Do not provide locks on electric operated doors.

## PART 3 EXECUTION

### 3.1 EXAMINATION

- A. Section 01 73 00 – Execution: Examination of existing conditions.
- B. Verify wall openings are ready to receive work and opening dimensions and tolerances are within specified limits.
- C. Verify electric power is available and of correct characteristics.

### 3.2 PREPARATION

- A. Prepare opening to permit correct installation of door unit to perimeter air and vapor retarder seal.

### 3.3 INSTALLATION

- A. Anchor assembly to wall construction and building framing without distortion or stress.
- B. Securely brace door tracks suspended from structure. Secure tracks to structural members only.
- C. Fit and align door assembly including hardware.
- D. Coordinate installation of electrical service. Complete power and control wiring from disconnect to unit components.

- E. Coordinate installation of sealants and backing materials at frame perimeter as specified in Section 07 90 00.
- F. Install perimeter weatherstripping.

### 3.4 ERECTION TOLERANCES

- A. Section 01 40 00 - Quality Requirements: Tolerances.
- B. Maximum Variation from Plumb: 1/16 inch.
- C. Maximum Variation from Level: 1/16 inch.
- D. Longitudinal or Diagonal Warp: Plus or minus 1/8 inch from 10 ft straight edge.
- E. Maintain dimensional tolerances and alignment with adjacent work.

### 3.5 ADJUSTING

- A. Section 01 73 00 - Execution: Testing, adjusting, and balancing.
- B. Adjust door assembly to smooth operation and in full contact with weatherstripping.

### 3.6 CLEANING

- A. Section 01 77 00 – Closeout Procedures: Final cleaning.
- B. Clean doors, frames and glass.
- C. Remove temporary labels and visible markings.

### 3.7 PROTECTION OF INSTALLED CONSTRUCTION

- A. Section 01 770 00 - Execution: Protection of installed construction.
- B. Do not permit construction traffic through overhead door openings after adjustment and cleaning.

END OF SECTION



## **SECTION 14 60 00**

### **CRANES AND HOISTS**

#### **PART 1 – GENERAL**

##### **1.1 DESCRIPTION**

###### **A. SCOPE**

1. This section specifies bridge cranes and hoisting equipment.
2. Runway beams and rail are part of the building steel package and are not included in this section.
3. This specification is intended to ensure bidders offer a true Class “C” crane for heavy duty cycle application and ease of maintenance.

###### **B. CRANE SUMMARY**

1. Manufacturer:
  - a. HOJ Engineering & Sales, LLC; Model: 10T TRSG
  - b. Substitutions: Not Permitted
2. Crane: AG Diesel Lab Refer to drawings.
  - a. Span: 41 feet, 6 inches
  - b. Capacity: 10 Tons
  - c. Crane type: Top running single girder
  - d. Classification: Crane shall be designed and constructed to CMAA Specification # 70, as applicable, for Class “C” service requirements and operation in a non-hazardous environment.
  - e. Hoist Speed: 20.0/3.2 FPM, variable frequency, 2 speed.
  - f. Trolley speed: 65 FPM
  - g. Trolley drive: Motorized
  - h. Hoist type: Electric wire rope.
  - i. Hoist lift required: 18 feet
  - j. Control: Hanging pendant

###### **C. WORK INCLUDES THE FOLLOWING**

1. Detailed design of completed crane system, including bridge, end trucks, trolley, hoists, cabling, controls, and all appurtenances specified hereinafter.
  - a. Shop Drawings
  - b. Fabrication of a complete crane
  - c. Inspection and shop testing
  - d. Documentation and schedules

##### **1.2 REFERENCES**

- A. Equipment furnished under this section shall, except as otherwise noted, comply in all respects with the requirements of the following standards.
  1. OSHA: Occupational Safety and Health Administration

- a. Part 1926.554 - Overhead Hoists
- b. Part 1910.179 – Overhead and Gantry Cranes
2. CMAA: Crane Manufacturer’s Association of America
  - a. Specifications for Top Running Bridge & Gantry Type Multiple Girder Electric Overhead Traveling Cranes - No. 70 (2004)
  - b. Specifications for Top Running and Under Running Single Girder Electric Overhead Cranes Utilizing Under Running Trolley Hoist - No. 74 (2004)
3. ANSI / ASME: American National Standards Institute / American Society of Mechanical Engineers
  - a. ANSI / ASME HST-4 - 1999 Performance Standard For Overhead Electric Wire Rope Hoists
  - b. ANSI / ASME B30.16 – 2003 Overhead Hoists (Underhung)
  - c. ANSI / ASME B30.2 - 2001 Overhead and Gantry Cranes (Top Running Bridge, Single Or Multiple Girder, Top Running Trolley Hoist)
  - d. ANSI / ASME B30.11 – 2004 Monorails and Underhung Cranes
  - e. ANSI / ASME B30.17 – 2003 Overhead and Gantry Cranes (Top Running Bridge, Single Girder, Underhung Hoist)
4. NEMA: National Electric Manufacturer’s Association
5. NEC: National Electric Code – 1999
  - a. Article 100, Article 240-1, Article 430-31, Article 430-51, Article 610-1, Article 610-31

### **1.3 SUBMITTALS**

- A. SHOP DRAWINGS AND EQUIPMENT DATA
  1. Manufacturer’s catalog data for hoist.
  2. Dimensional drawings and details for bridge crane system.
  3. Wiring schematics. – ship with crane.
- B. OPERATIONS AND MAINTENANCE MANUALS
  1. Equipment function, normal operating characteristics, and limiting conditions.
  2. Assembly, installation, alignment, and maintenance instructions.
  3. Lubrication and maintenance instructions.
  4. Guide to “troubleshooting”.
  5. Parts list.
  6. As-built drawing.
  7. Test results.

### **1.4 APPLICABLE STANDARDS**

- A. Contractor shall adhere to OSHA, state, and local safety guidelines, laws, rules, and regulations.
- B. Contractor shall conform to all applicable ANSI, CMAA, and HMI specifications and/or standards.
- C. Comply with CMAA specification 70, as applicable.
- D. Long lead items [hoist, end trucks, drives and controls] will be ordered by contractor

upon receipt of purchase order and credit approval. Steel will not be ordered until shop drawings and submittals have been approved by the customer.

- E. All electric equipment shall be UL, CSA c/us or ETL labeled.

## 1.5 WARRANTIES

- A. Provide one-year warranty for moving parts and controls.
- B. Provide a ten-year warranty for bridge girders and structural steel.

## PART 2 – PRODUCTS

### 2.1 ACCEPTABLE PRODUCTS

- A. Bridge crane and hoist package system shall be provided by the following:
  - 1. HOJ Engineering and Sales, LLC  
862 Fine Drive  
Salt Lake City, UT 84123  
(801) 266-8881

### 2.2 MATERIALS

- |    |                   |                            |
|----|-------------------|----------------------------|
| A. | <u>Components</u> | <u>Materials</u>           |
|    | Bridge Beams      | Steel, ASTM A36 or A992    |
|    | End Trucks        | Steel, ASTM A36 (or equal) |
|    | Trolley           | Steel, ASTM A36 (or equal) |
|    | Wheels            | Cast iron or steel         |
|    | Hooks             | Forged steel               |

### 2.3 EQUIPMENT

- A. Hoist and Trolley
  - 1. Top-running girder crane.
  - 2. All hoisting components, including hoisting motor, gearbox, and drum, shall be foot mounted to deck of trolley. Face/flange mounted motors and gearboxes are not acceptable.
  - 3. Hoist and trolley motors shall be per 1.01B above, as applicable.
  - 4. Hoist motors shall be connected to the hoist gearbox by a driveshaft with a coupling, flexible gear type.
  - 5. Upper and lower limit switches shall be provided. Limit switch shall provide upper and lower limit of hoist travel, hoist slow down prior to reaching upper limit and phase sequence supervision at upper limit. An additional weighted block operated limit shall be included.
  - 6. Hooks shall be made of forged alloy steel and shall be fitted with a spring-loaded safety latch.
  - 7. Hook block shall be made of plate steel. Stamped or pressed steel shall not be used.
  - 8. Trolleys shall have energy absorbing bumpers.
  - 9. All hoist and trolley wiring shall be in rigid or flexible conduit.

- B. Bridge Girder

1. Bridge girder shall be per 1.1 B above, as applicable.
2. Bridge girders shall be constructed from welded box girders or Structural beams, Steel, ASTM A36 or A992, as required.

C. End Trucks and Bridge Drive

1. End trucks shall be designed in accordance with CMAA specifications as applicable.
2. End trucks shall be bolted to bridge girder.
3. Bridge drive shall be dual-motor (A-4 arrangement per CMAA).
4. Bridge drive shall be designed to stop the bridge within CMAA specifications.
5. End trucks shall be equipped with rail sweeps and energy-absorbing rubber bumpers.
6. Travel limit switches to be provided as necessary for safe operation.

D. Power Supply

1. Power supply for the hoist shall be 460 volt, 3 ph., 60 Hz. All power required for the operation of the hoist, trolley, and end trucks shall be developed from this source.
2. Runway electrification shall be 4-bar safety type rigid conductors as manufactured by Insul-8, Duct-O-Wire Company or Wampfler. Wall mounted disconnect switch and power to runway conductors provided by Electrical Contractor.
3. Unless otherwise noted, scope of supply shall assume that runway power supply feeds current to runway electrification system at center of runway, and specifically is not end-fed.
4. Scope of supply shall assume runway electrification is adequate for new cranes in sum unless otherwise noted.
5. Scope of supply shall assume that runway electrification is supplied and installed not by crane provider. If scope of specifically notes that crane provider is to supply and install runway electrification, contractors other than crane provider shall supply mainline disconnect with fused breaker appropriately sized with conduit up to runway elevation and minimum ten feet of loose cable at end conduit for wiring to runway electrification. Solid core wire shall not be used.
6. Cross bridge electrification shall be flat cable style festoon system with terminal box, multi-conductor cord, plug connectors (when available) and accessories. Cables are to be hardwired when plug connectors are not available.

E. Controls

1. The following controls shall be used as applicable.
  - a. Six-way operation, plug-in push button pendant suspended from independent festoon track.
  - b. Pendant shall include Start (momentary) button and Emergency Stop (push to maintain, turn to release) that controls a mainline contactor in the bridge control panel.
  - c. Pushbutton and radio shall be clearly marked with hoist, trolley and bridge travel directions.
  - d. Hoist shall be variable frequency inverter control with encoder and closed feedback loop.
  - e. Trolley and bridge controls shall be variable frequency inverter control (standard), as required per section 1.1.B.
  - f. Electrical control enclosures shall be IP55 or NEMA 4 type. Pushbutton

enclosure shall have a rating of IP65, NEMA 4X, 4 or 5.

F. Labeling

1. Hoist and bridge beam shall be labeled with load rating.
2. A corrosion-resistant nameplate shall be fixed to the bridge with the following information:
  - a. Name of manufacturer
  - b. Mfg.'s model number and serial number
  - c. Capacity
  - d. Date of manufacture (month and year)

G. Painting

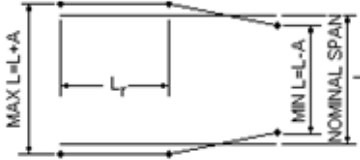
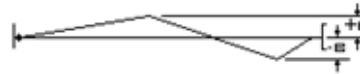

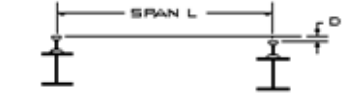
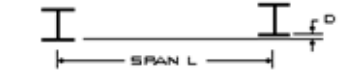
1. Hoist and trolley shall be factory painted (2-part epoxy) per manufacturer's standards.
2. Bridge shall be shop cleaned, primed, and painted per manufacturer's standards.
3. The following items shall not be painted:
  - a. Rail surfaces in contact with wheels
  - b. Wheel running surfaces
  - c. Hoist wire rope
  - d. Conductor bar, festoon cables and supports

### **PART 3 – EXECUTION**

#### **3.1 INSTALLATION AND INSPECTION**

- A. Inspect structure and crane rail erection for conformance with reviewed shop drawings and contract documents prior to installation of equipment. Bring nonconforming work to the attention of the customer prior to proceeding with crane installation. Nonconforming runway structure or installation must be corrected prior to crane installation and load testing of crane system. Costs of delays or additional work due to nonconforming runway structure will be reimbursed by the contractor. Runway beams and/or rails not supplied or installed by crane provider must be within span, straightness, and elevation tolerance specified by CMAA (see chart below). Crane provider shall not be required to warrantee or otherwise guarantee proper functioning of equipment installed on a runway that does not meet CMAA specification. Runway end stops shall not be included in this specification or scope of supply.

**REQUIRED RUNWAY TOLERANCES**

ITEM	FIGURE	OVERALL TOLERANCE	MAXIMUM RATE OF CHANGE
CRANE SPAN (L) NOMINAL SPAN L		L ≤ 50' A = 3/16" L > 50' ≤ 100' A = 1/4" L > 100' A = 3/8"	1/4" IN 20'
STRAIGHTNESS (B)		B = 3/8"	1/4" IN 20'
ELEVATION (C)		C = 3/8"	1/4" IN 20'
TOP RUNNING TRANSVERSE RAIL TO RAIL ELEVATION (D)		L ≤ 50' D = +/- 3/16" L > 50' ≤ 100' D = +/- 1/4" L > 100' D = +/- 3/8"	1/4" IN 20'
TRANSVERSE GIRDER TO GIRDER ELEVATION UNDER RUNNING (D)		L ≤ 50' D = +/- 3/16" L > 50' ≤ 100' D = +/- 1/4" L > 100' D = +/- 3/8"	1/4" IN 20'

- B. Scope of supply shall note explicitly whether installation is required.
- C. Crane provider is required to install crane as part of scope of supply.
- D. End user or general contractor shall engage a third party surveyor that is not in the business of manufacturing overhead cranes or hoists to ensure straightness and levelness of runway for entire length before installation of crane(s). This shall not be included in scope of crane supply.

3.2 TESTING

- A. On-site load testing: Crane equipment shall be operated through a complete lift and lowering cycle and through a complete travel of the bridge and trolley to determine that the equipment shall perform smoothly and safely and that pendant cable length is sufficient to permit operation from desired floor levels. All tests shall be carried out with the bridge crane equipment loaded at 125 percent of capacity. The bridge crane purchaser shall provide the test weight loads and rigging unless otherwise noted. Any defects shall be corrected by the bridge crane provider without any expense to the Owner.

3.3 USE BY CONTRACTOR

- A. If crane is used by the Contractor, it shall be repaired, repainted, and otherwise refurbished to like new condition prior to its acceptance. The crane provider shall then perform a detailed inspection at owner's cost prior to warranty taking effect. The Contractor assumes all responsibility for operation and maintenance until the crane has been accepted by Owner.

3.3 CLEANING

- A. Upon completion of work, area shall be cleaned and restored to original condition, acceptable to the Owner.

END OF DIVISION

DBS STAMP

LEGEND  
 CLEAR AND GRUB LIMITS



GENERAL SHEET NOTES

- EXISTING UTILITIES ARE SHOWN IN AN APPROXIMATE LOCATION. CONTRACTOR TO VERIFY EXISTING UNDERGROUND UTILITIES PRIOR TO CONSTRUCTION. SEE UTILITY PLANS FOR MORE INFORMATION.
- REFERENCE LANDSCAPE PLANS FOR ALL TREE DEMOLITION ITEMS.

CLEAR & GRUB LIMITS

POINT TABLE

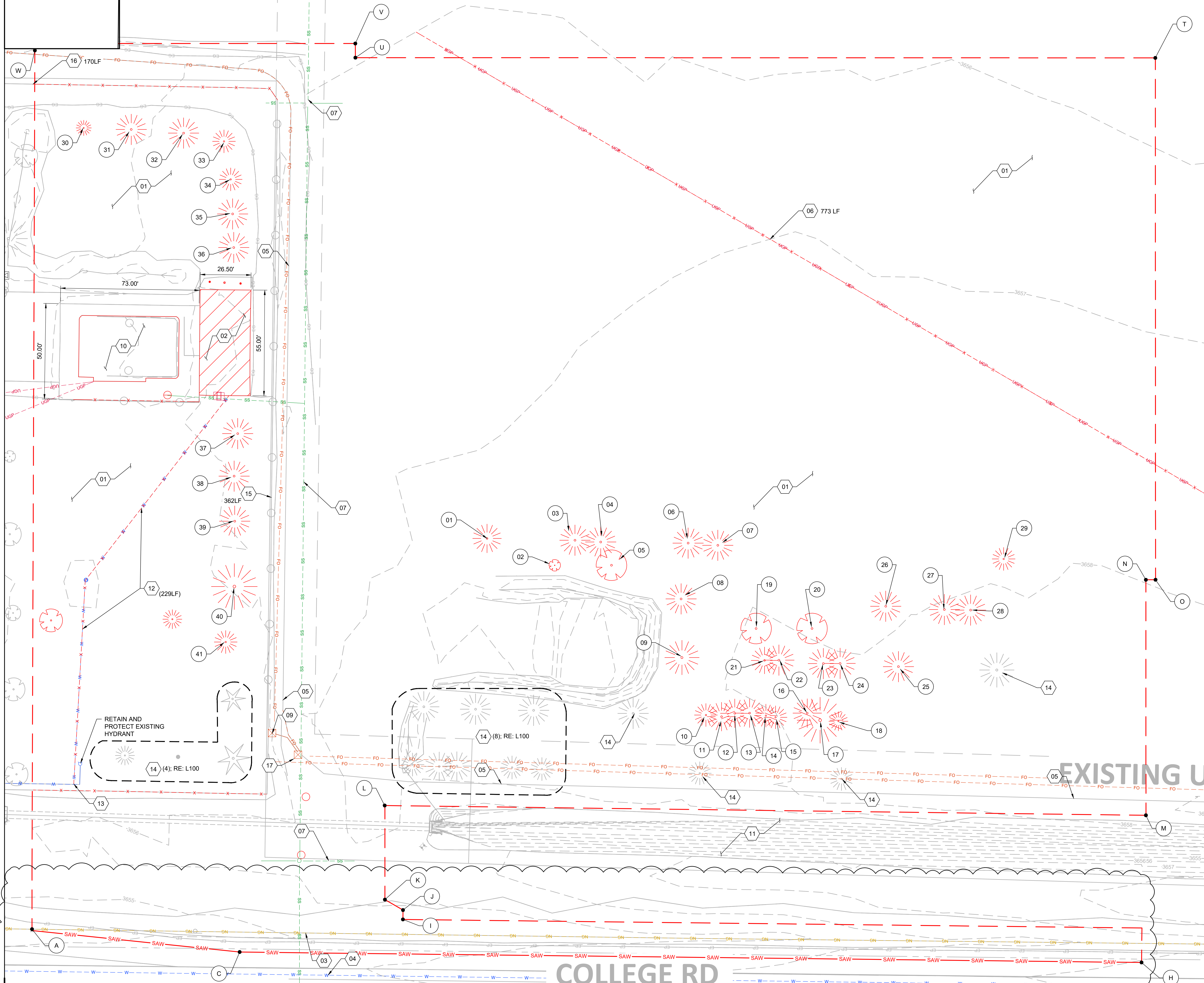
POINT	NORTHING	EASTING
A	334989.5319	1511657.9714
I	334995.3034	1511851.5532
J	335000.2036	1511851.5985
K	334978.3095	1511766.3518
C	335005.6533	1511842.1593
H	334972.8584	1512237.0835
L	335054.7498	1511842.1685
M	335049.6471	1512239.3766
N	335172.5457	1512239.3555
O	335172.5464	1512244.2839
T	335444.8389	1512244.2767
U	335444.9536	1511826.7620
V	335452.3411	1511826.7239
W	335452.3119	1511659.4714

SHEET KEYNOTES

- CLEAR AND GRUB AREA TO A DEPTH OF 1 FOOT
- DEMOLISH EXISTING POOL HOUSE. COMPLETE ASBESTOS AND LEAD TESTING PRIOR TO ANY DEMOLITION WORK OCCURRING. ENSURE ALL UTILITIES ARE DECOMMISSIONED AND CAPPED PRIOR TO BEGINNING DEMOLITION WORK.
- RETAIN AND PROTECT EXISTING NATURAL GAS LINE
- RETAIN AND PROTECT EXISTING WATER LINE
- RETAIN AND PROTECT FIBER OPTIC
- REMOVE ABANDONED ELECTRICAL LINE
- RETAIN AND PROTECT EXISTING SEWER LINE
- RETAIN AND PROTECT EXISTING FENCE. RE: C-101 SITE PLAN
- RETAIN AND PROTECT EXISTING COMMUNICATIONS BOX
- EXCAVATE AND DEMOLISH EXISTING POOL; APPROXIMATE DIMENSIONS: 50' X 30' X 8'
- RETAIN AND PROTECT DITCH BANK
- REMOVE ENTIRE EXISTING WATER LINE
- CLOSE WATER SERVICE AT VALVE
- RETAIN AND PROTECT TREE
- REMOVE AND RESET EXISTING FENCE IN NEW LOCATION; RE: C-101 SITE PLAN
- REMOVE EXISTING FENCE
- RELOCATE EXISTING FIBER VAULT BEHIND CURB LINE OF NEW ROAD; RE: C-101 SITE PLAN

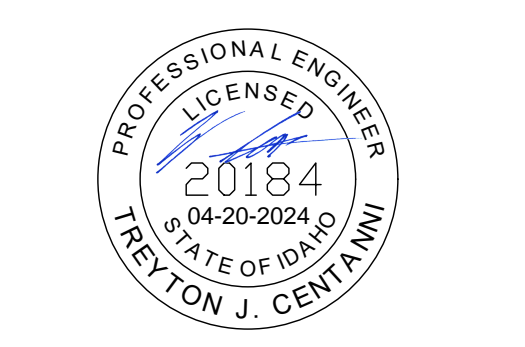
TREE REMOVAL SCHEDULE

TREE #	TYPE	SIZE
1	CONIFER	12"
2	DECIDUOUS	16"
3	CONIFER	16"
4	CONIFER	16"
5	DECIDUOUS	16"
6	CONIFER	16"
7	CONIFER	16"
8	CONIFER	16"
9	CONIFER	16"
10	CONIFER	16"
11	CONIFER	16"
12	CONIFER	16"
13	CONIFER	16"
14	CONIFER	16"
15	CONIFER	16"
16	CONIFER	16"
17	CONIFER	24"
18	CONIFER	10"
19	DECIDUOUS	16"
20	DECIDUOUS	16"
21	CONIFER	14"
22	CONIFER	16"
23	CONIFER	16"
24	CONIFER	16"
25	CONIFER	16"
26	CONIFER	16"
27	CONIFER	16"
28	CONIFER	16"
29	CONIFER	16"
30	CONIFER	16"
31	CONIFER	16"
32	CONIFER	16"
33	CONIFER	12"
34	CONIFER	12"
35	CONIFER	16"
36	CONIFER	16"
37	CONIFER	16"
38	CONIFER	16"
39	CONIFER	16"
40	CONIFER	24"
41	CONIFER	12"



**INTEGRUS**  
 A COLLABORATION OF YGH & INTEGRUS ARCHITECTURE  
 10 SOUTH CEDAR, SPOKANE, WA, 99204  
 TELEPHONE: (509)338-8681 FAX: (509)338-2194

**KELLER ASSOCIATES**  
 300 East River Street, Suite 100  
 Meridian, ID 83442  
 (208) 788-1992



**DPW Project No. 22-091**  
**COLLEGE OF SOUTHERN IDAHO**  
**CSI Diesel Mechanics Facility**  
 315 Falls Ave, Twin Falls, ID 83301

Date: 4/17/2024  
 Job No.: Proj # 22250.00  
 Drawn By: CM  
 Checked by: TC

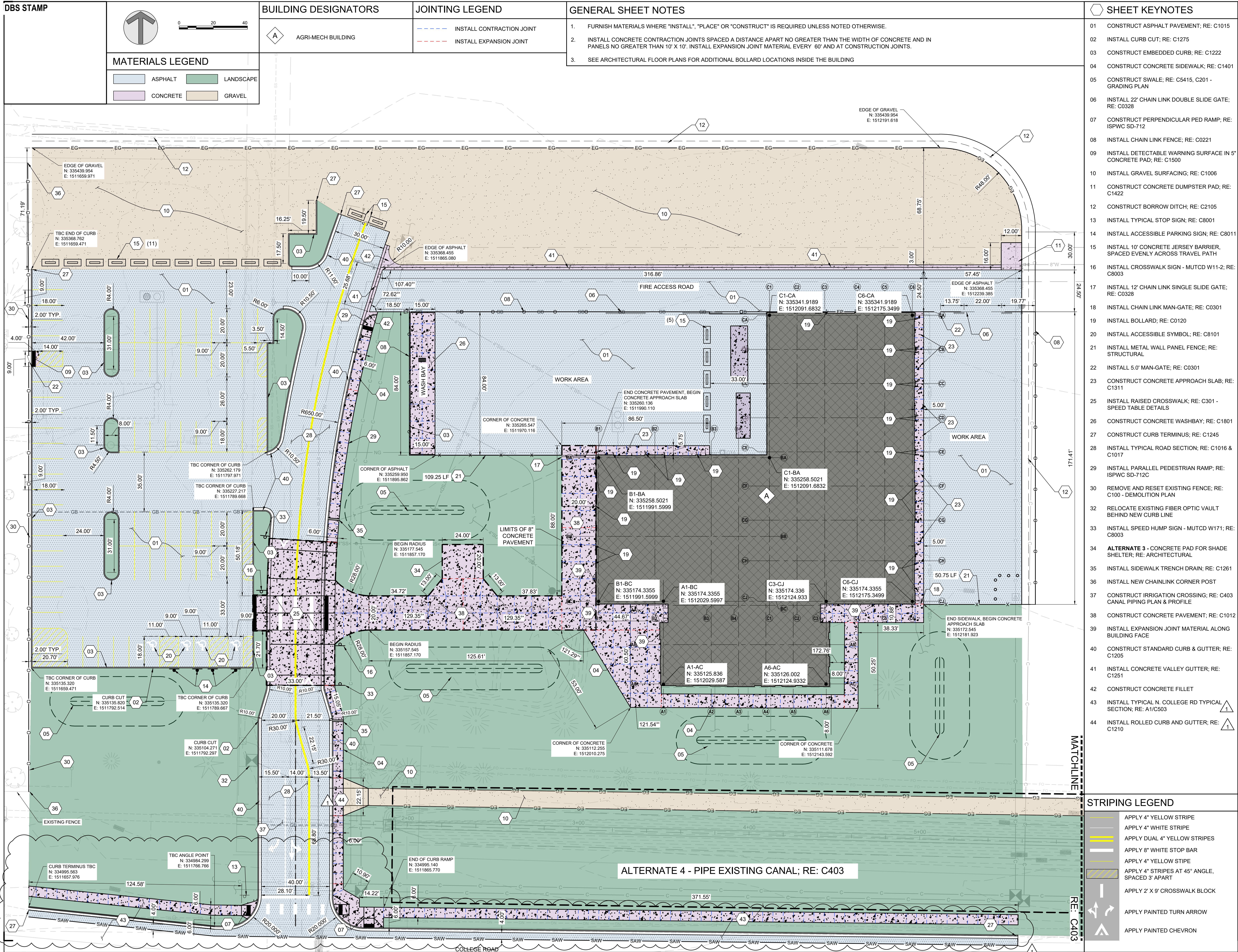
Revisions

#	Date	Description
1	04/17/24	ADDENDUM 1

**DEMOLITION PLAN**

**C-100**





**DBS STAMP**

↑

0 20 40

**MATERIALS LEGEND**

ASPHALT	LANDSCAPE
CONCRETE	GRAVEL

**BUILDING DESIGNATORS**

▲ AGRI-MECH BUILDING

**JOINTING LEGEND**

--- INSTALL CONTRACTION JOINT

--- INSTALL EXPANSION JOINT

**GENERAL SHEET NOTES**

- FURNISH MATERIALS WHERE "INSTALL," "PLACE" OR "CONSTRUCT" IS REQUIRED UNLESS NOTED OTHERWISE.
- INSTALL CONCRETE CONTRACTION JOINTS SPACED A DISTANCE APART NO GREATER THAN THE WIDTH OF CONCRETE AND IN PANELS NO GREATER THAN 10' X 10'. INSTALL EXPANSION JOINT MATERIAL EVERY 60' AND AT CONSTRUCTION JOINTS.
- SEE ARCHITECTURAL FLOOR PLANS FOR ADDITIONAL BOLLARD LOCATIONS INSIDE THE BUILDING

**SHEET KEYNOTES**

- CONSTRUCT ASPHALT PAVEMENT; RE: C1015
- INSTALL CURB CUT; RE: C1275
- CONSTRUCT EMBEDDED CURB; RE: C1222
- CONSTRUCT CONCRETE SIDEWALK; RE: C1401
- CONSTRUCT SWALE; RE: C5415, C201 - GRADING PLAN
- INSTALL 22' CHAIN LINK DOUBLE SLIDE GATE; RE: C0328
- CONSTRUCT PERPENDICULAR PED RAMP; RE: ISPWC SD-712
- INSTALL CHAIN LINK FENCE; RE: C0221
- INSTALL DETECTABLE WARNING SURFACE IN 5' CONCRETE PAD; RE: C1500
- INSTALL GRAVEL SURFACING; RE: C1006
- CONSTRUCT CONCRETE DUMPSTER PAD; RE: C1422
- CONSTRUCT BORROW DITCH; RE: C2105
- INSTALL TYPICAL STOP SIGN; RE: C8001
- INSTALL ACCESSIBLE PARKING SIGN; RE: C8011
- INSTALL 10' CONCRETE JERSEY BARRIER, SPACED EVENLY ACROSS TRAVEL PATH
- INSTALL CROSSWALK SIGN - MUTCD W11-2; RE: C8003
- INSTALL 12' CHAIN LINK SINGLE SLIDE GATE; RE: C0328
- INSTALL CHAIN LINK MAN-GATE; RE: C0301
- INSTALL BOLLARD; RE: C0120
- INSTALL ACCESSIBLE SYMBOL; RE: C8101
- INSTALL METAL WALL PANEL FENCE; RE: STRUCTURAL
- INSTALL 5.0' MAN-GATE; RE: C0301
- CONSTRUCT CONCRETE APPROACH SLAB; RE: C1311
- INSTALL RAISED CROSSWALK; RE: C301 - SPEED TABLE DETAILS
- CONSTRUCT CONCRETE WASHBAY; RE: C1801
- CONSTRUCT CURB TERMINUS; RE: C1245
- INSTALL TYPICAL ROAD SECTION; RE: C1016 & C1017
- INSTALL PARALLEL PEDESTRIAN RAMP; RE: ISPWC SD-712C
- REMOVE AND RESET EXISTING FENCE; RE: C100 - DEMOLITION PLAN
- RELOCATE EXISTING FIBER OPTIC VAULT BEHIND NEW CURB LINE
- INSTALL SPEED HUMP SIGN - MUTCD W171; RE: C8003
- ALTERNATE 3 - CONCRETE PAD FOR SHADE SHELTER; RE: ARCHITECTURAL
- INSTALL SIDEWALK TRENCH DRAIN; RE: C1261
- INSTALL NEW CHAINLINK CORNER POST
- CONSTRUCT IRRIGATION CROSSING; RE: C403 CANAL PIPING PLAN & PROFILE
- CONSTRUCT CONCRETE PAVEMENT; RE: C1012
- INSTALL EXPANSION JOINT MATERIAL ALONG BUILDING FACE
- CONSTRUCT STANDARD CURB & GUTTER; RE: C1205
- INSTALL CONCRETE VALLEY GUTTER; RE: C1251
- CONSTRUCT CONCRETE FILLET
- INSTALL TYPICAL N. COLLEGE RD TYPICAL SECTION; RE: A1/C503
- INSTALL ROLLED CURB AND GUTTER; RE: C1210

**STRIPING LEGEND**

- APPLY 4" YELLOW STRIPE
- APPLY 4" WHITE STRIPE
- APPLY DUAL 4" YELLOW STRIPES
- APPLY 8" WHITE STOP BAR
- APPLY 4" YELLOW STRIPE
- APPLY 4" STRIPES AT 45° ANGLE, SPACED 3' APART
- APPLY 2' X 9' CROSSWALK BLOCK
- APPLY PAINTED TURN ARROW
- APPLY PAINTED CHEVRON

**INTEGRUS**  
A COLLABORATION OF YGH & INTEGRUS ARCHITECTURE  
10 SOUTH CEDAR, SPOKANE, WA, 99204  
TELEPHONE: (509)338-8661 FAX: (509)338-2194

**KELLER ASSOCIATES**  
100 East River Street, Suite 100  
Meridian, ID 83442  
(208) 788-1992

PROFESSIONAL ENGINEER  
LICENSED  
20184  
04-20-2024  
LITTON J. CEMENTI

**DPW Project No. 22-091**  
**COLLEGE OF SOUTHERN IDAHO**  
**CSI Diesel Mechanics Facility**  
315 Falls Ave, Twin Falls, ID 83301

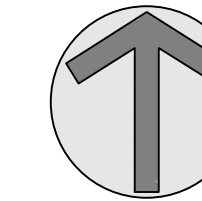
Date: 4/17/2024  
Job No.: Proj # 22250.00  
Drawn By: CM  
Checked by: TC

#	Date	Description
1	04/17/24	ADDENDUM 1

**SITE PLAN**

**C101**

DBS STAMP



GENERAL SHEET NOTES

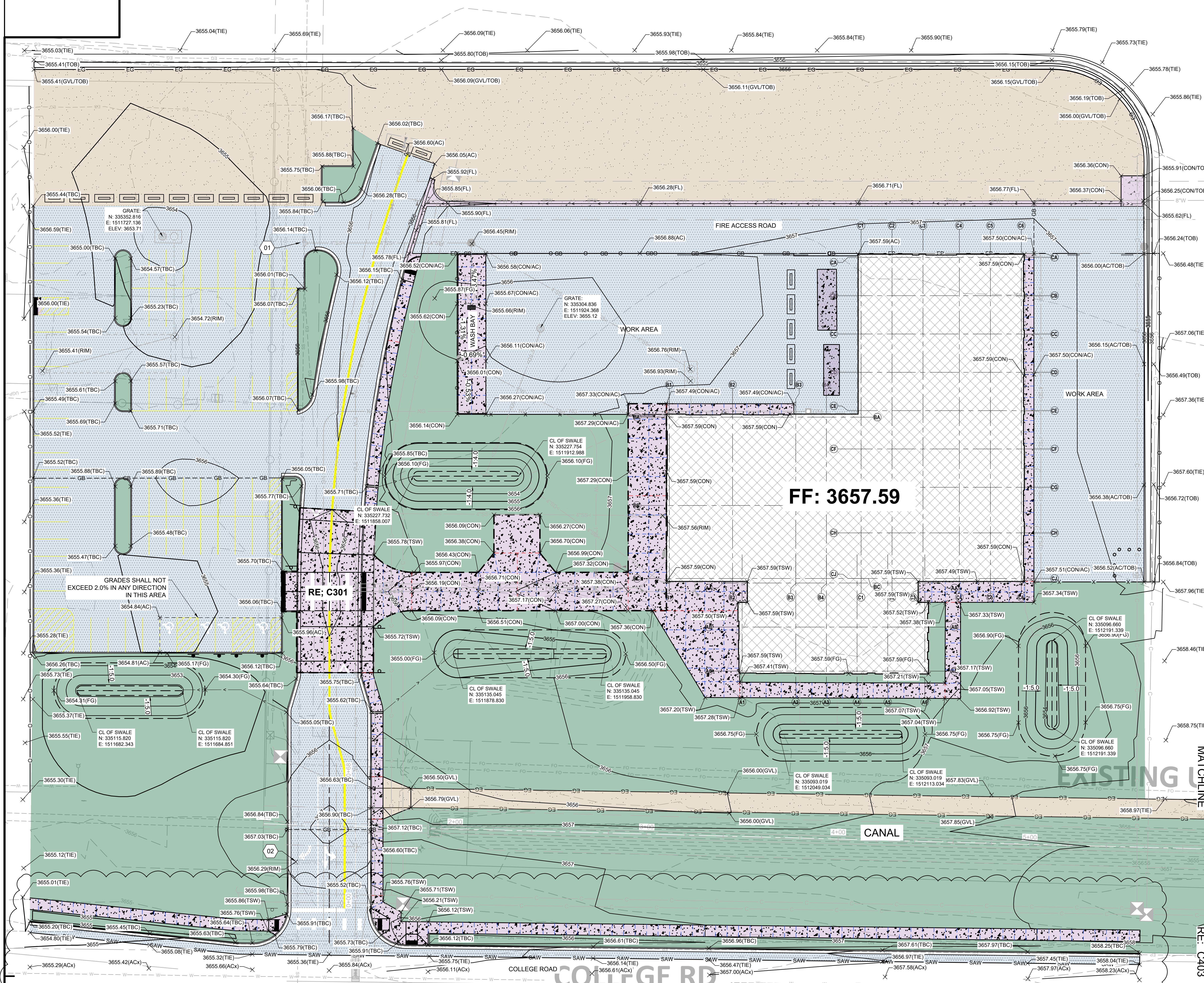
- EXISTING UTILITIES ARE SHOWN IN AN APPROXIMATE LOCATION. CONTRACTOR TO VERIFY EXISTING UNDERGROUND UTILITIES PRIOR TO CONSTRUCTION. SEE UTILITY PLANS FOR MORE INFORMATION.
- FURNISH MATERIALS WHERE "INSTALL", "PLACE" OR "CONSTRUCT" IS REQUIRED UNLESS NOTED OTHERWISE.
- AREAS DISTURBED BY CONSTRUCTION WHERE SURFACE REPAIR IS NOT INDICATED SHALL BE RESTORED TO CONDITIONS FOUND PRIOR TO CONSTRUCTION. THIS COST SHALL BE INCIDENTAL TO THE CONTRACT.

GRADING ABBREVIATIONS

- CON - TOP OF CONCRETE
- RIM - TOP OF GRATE OR LID
- TSW - TOP OF SIDEWALK
- LIP - FRONT LIP OF CONCRETE GUTTER
- FG - FINISHED GRADE
- TBC - TOP BACK OF CURB
- AC - ASPHALT CONCRETE
- GVL - EDGE OF GRAVEL
- TIE - TIE BACK ELEVATION
- TOB - TOP OF BANK
- FL - FLOWLINE
- x - EXISTING ELEVATION

SHEET KEYNOTES

- ADJUST EXISTING MANHOLE TO GRADE
- ADJUST EXISTING COMMUNICATION VAULT TO GRADE. COORDINATE WITH PMT FIBER



**INTEGRUS**  
 A COLLABORATION OF YGH & INTEGRUS ARCHITECTURE  
 10 SOUTH CEDAR, SPOKANE, WA, 99204  
 TELEPHONE: (509)338-4661 FAX: (509)338-2194

**KELLER ASSOCIATES**  
 100 East River Street, Suite 100  
 Meridian, ID 83442  
 (208) 788-1992



**DPW Project No. 22-091**  
**COLLEGE OF SOUTHERN IDAHO**  
**CSI Diesel Mechanics Facility**  
 315 Falls Ave, Twin Falls, ID 83301

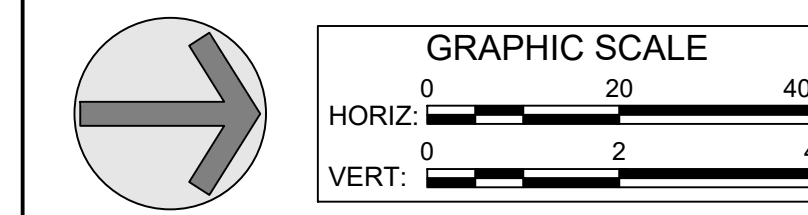
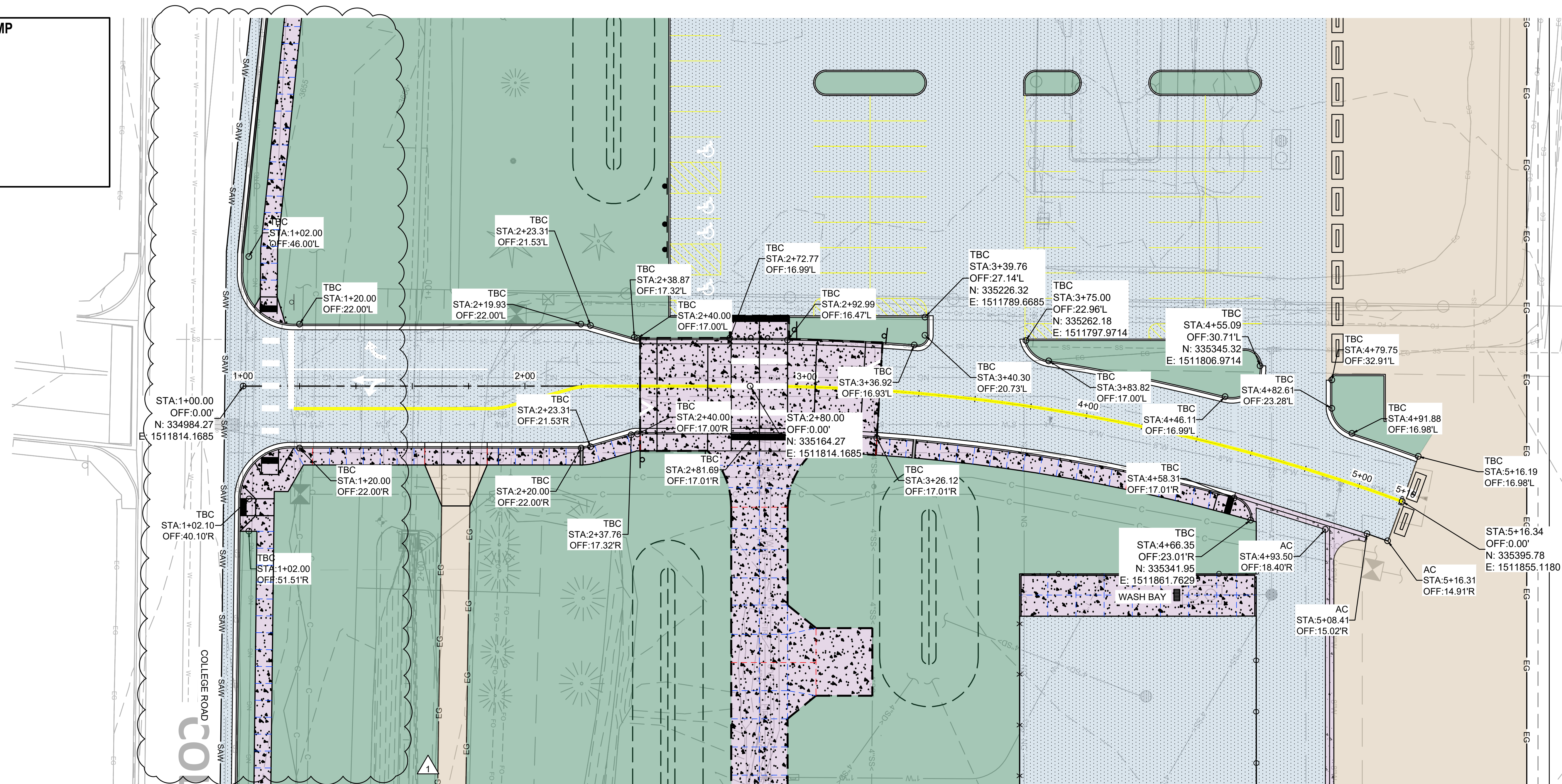
Date:	4/17/2024
Job No.:	Proj # 22250.00
Drawn By:	CM
Checked by:	TC

Revisions	
#	Description
1	04/17/24 ADDENDUM 1

GRADING PLAN

C201

DBS STAMP



GENERAL SHEET NOTES

- EXISTING UTILITIES ARE SHOWN IN AN APPROXIMATE LOCATION. CONTRACTOR TO VERIFY EXISTING UNDERGROUND UTILITIES PRIOR TO CONSTRUCTION. SEE UTILITY PLANS FOR MORE INFORMATION.
- FURNISH MATERIALS WHERE "INSTALL", "PLACE" OR "CONSTRUCT" IS REQUIRED UNLESS NOTED OTHERWISE.
- AREAS DISTURBED BY CONSTRUCTION WHERE SURFACE REPAIR IS NOT INDICATED SHALL BE RESTORED TO CONDITIONS FOUND PRIOR TO CONSTRUCTION. THIS COST SHALL BE INCIDENTAL TO THE CONTRACT.

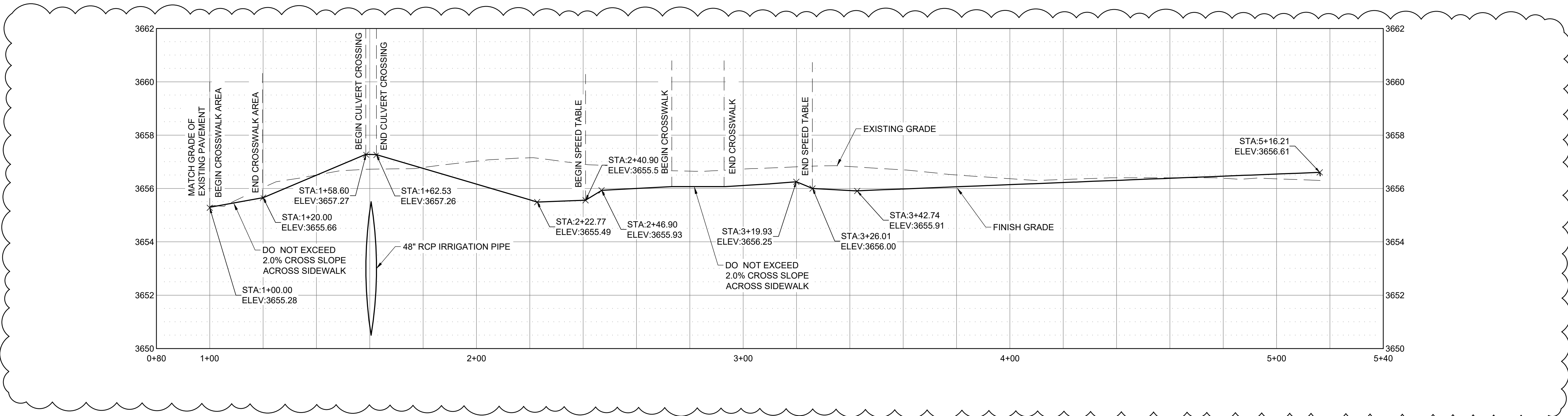
**INTEGRUS**  
A COLLABORATION OF YGH & INTEGRUS ARCHITECTURE  
10 SOUTH CEDAR, SPokane, WA, 99204  
TELEPHONE: 509.838.8661 FAX: 509.838.2194  
Myers Anderson

**KELLER ASSOCIATES**  
300 East River Street, Suite 100  
Meridian, ID 83442  
(208) 788-1992



DPW Project No. 22-091  
**COLLEGE OF SOUTHERN IDAHO**  
**CSI Diesel Mechanics Facility**  
315 Falls Ave, Twin Falls, ID 83301

RING ROAD PROFILE



Date:	4/17/2024
Job No.:	Proj # 22250.00
Drawn By:	CM
Checked by:	TC

#	Date	Description
1	04/17/24	ADDENDUM 1

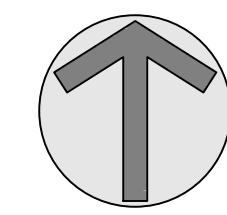
RING ROAD  
PLAN &  
PROFILE

C300

C:\USER\JCENT\AN\DESKTOP\LOCAL CAD\C\SI AGR\MECH\REV\CAD\DESIGN\_PLANS-RING ROAD PLAN & PROFILE.DWG LAST SAVED: 4/19/2024 9:43 PM PRINTED: 4/19/2024 9:44 PM

DBS STAMP

MATCHLINE



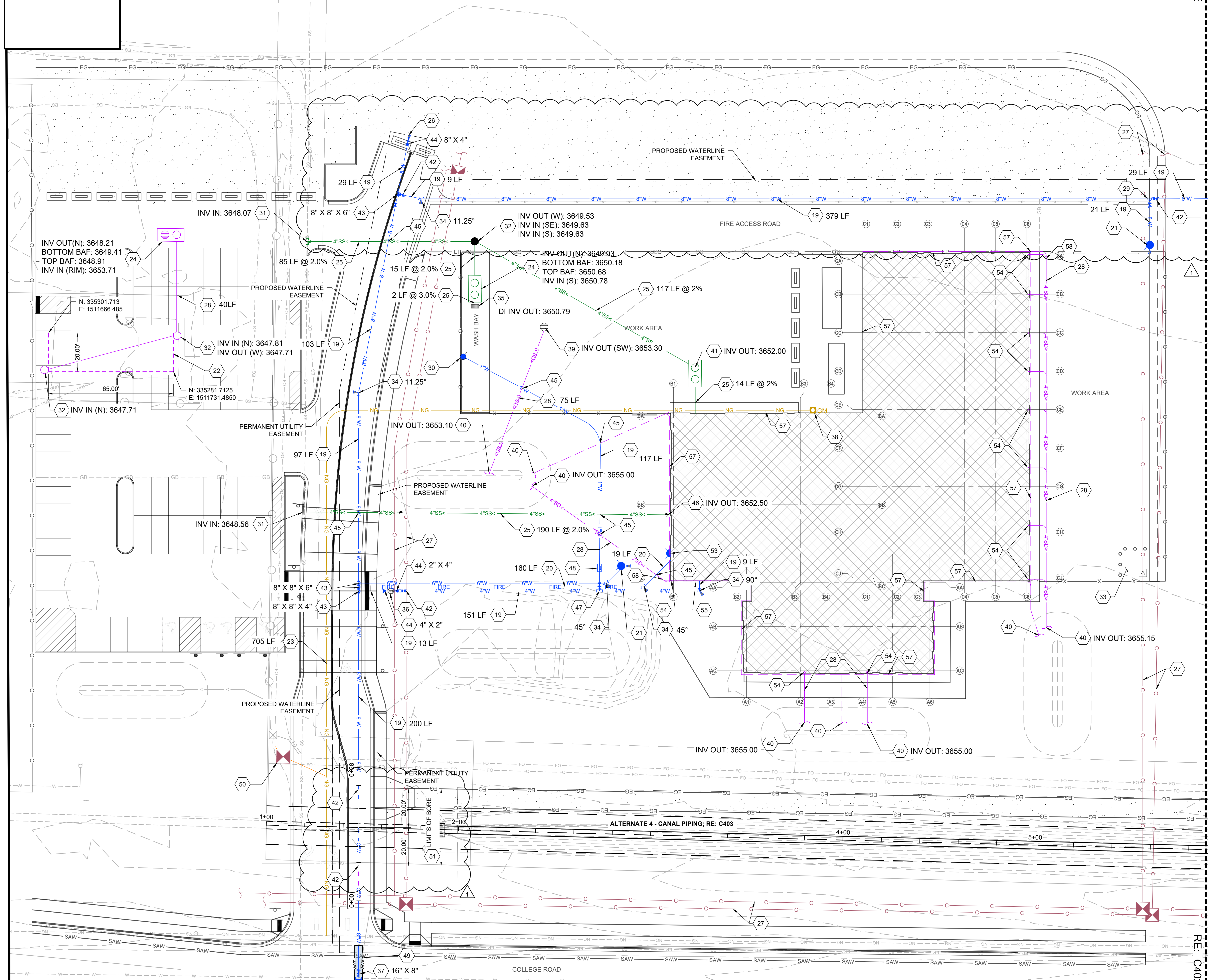
0 20 40

GENERAL SHEET NOTES

- EXISTING UTILITIES ARE SHOWN IN AN APPROXIMATE LOCATION. CONTRACTOR TO VERIFY EXISTING UNDERGROUND UTILITIES PRIOR TO CONSTRUCTION. SEE UTILITY PLANS FOR MORE INFORMATION.
- FURNISH MATERIALS WHERE "INSTALL", "PLACE" OR "CONSTRUCT" IS REQUIRED UNLESS NOTED OTHERWISE.
- AREAS DISTURBED BY CONSTRUCTION WHERE SURFACE REPAIR IS NOT INDICATED SHALL BE RESTORED TO CONDITIONS FOUND PRIOR TO CONSTRUCTION. THIS COST SHALL BE INCIDENTAL TO THE CONTRACT.
- ALL CITY WATERLINE IMPROVEMENTS SHALL BE INSTALLED WITH A MINIMUM 4' COVER.

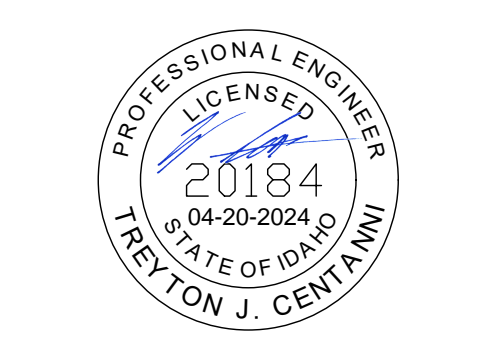
SHEET KEYNOTES

- INSTALL POTABLE WATER LINE
- INSTALL 6" FIRE WATER LINE; RE: TFS-404B. VERIFY SIZE OF PIPE WITH FIRE SPRINKLER DESIGNER PRIOR TO INSTALLATION.
- INSTALL FIRE HYDRANT; RE: TFS-404
- CONSTRUCT SEEPAGE BED; RE: C5412
- INSTALL NATURAL GAS LINE - COORDINATE WITH INTERMOUNTAIN GAS
- INSTALL SAND AND GREASE TRAP; RE: ISPCW SD-624
- INSTALL 4" SANITARY SEWER LINE
- 4" BLOW-OFF AND THRUST BOX; RE: ISPCW SD-405
- INSTALL DRY CONDUIT; RE: ELECTRICAL PLAN
- INSTALL STORM DRAIN PIPE
- INSTALL TEE
- INSTALL YARD HYDRANT; RE: C7504
- INSTALL 4" STANDARD SEWER SERVICE SADDLE; RE: TFS-511
- INSTALL STANDARD MANHOLE, MANHOLE COVER AND FRAME; RE: TFS-501 & 507
- INSTALL ELECTRICAL TRANSFORMER; RE: ELECTRICAL SHEETS. PROTECT TRANSFORMER IN FINAL LOCATION WITH 3 BOLLARDS ON THE NORTH AND WEST SIDES, EVENLY SPACED; RE: C0123
- INSTALL BEND AND THRUST BLOCK
- INSTALL INLET CATCH BASIN; RE: C5104
- INSTALL 2" WATER METER AND TUB; RE: TFS-402A
- INSTALL CITY APPROVED HOT TAP SADDLE
- INSTALL NATURAL GAS METER - COORDINATE WITH INTERMOUNTAIN GAS
- CONSTRUCT SHALLOW MANHOLE; RE: ISPCW SD-615
- DAYLIGHT STORMDRAIN
- OIL-WATER SEPARATOR; RE: MECHANICAL & PLUMBING
- INSTALL VALVE BOX AND LID; RE: TFS-406
- INSTALL REDUCING TEE
- INSTALL REDUCER
- PROVIDE POTABLE - NON-POTABLE SEPARATION; RE: ISPCW SD-407
- CONNECT SANITARY SEWER TO BUILDING; RE: MECHANICAL & PLUMBING
- INSTALL 4" X 1" POTABLE WATER SERVICE SADDLE
- INSTALL BACKFLOW PREVENTOR
- REPAIR ASPHALT SURFACE; RE: TFS-303
- RELOCATE EXISTING COMMUNICATION JUNCTION BOX BEHIND CURB OF NEW ROAD. COORDINATE WITH PMT FIBER.
- JACK & BORE 8" WATERLINE IN STEEL CASING. PERFORM WORK IN ACCORDANCE WITH ISPCW SECTION 308; RE: ISPCW SD-307
- CONSTRUCT SHALLOW MANHOLE; RE: ISPCW SD-615
- INSTALL BUILDING MOUNTED FIRE DEPARTMENT CONNECTION
- CONNECT GUTTER DOWNSPOUTS TO UNDERGROUND STORM DRAIN USING RUBBER BOOT
- NOT USED
- NOT USED
- INSTALL FOUNDATION DRAIN
- CONNECT FOUNDATION DRAIN TO STORM DRAIN



**INTEGRUS**  
 A COLLABORATION OF YGH & INTEGRUS ARCHITECTURE  
 10 SOUTH CEDAR, SPOKANE, WA, 99204  
 TELEPHONE: (509) 337-8661 FAX: (509) 337-2194

**KELLER ASSOCIATES**  
 100 East River Street, Suite 100  
 Meridian, ID 83442  
 (208) 788-1992



**DPW Project No. 22-091**  
**COLLEGE OF SOUTHERN IDAHO**  
**CSI Diesel Mechanics Facility**  
 315 Falls Ave, Twin Falls, ID 83301

Date:	4/17/2024
Job No.:	Proj # 22250.00
Drawn by:	CM
Checked by:	TC

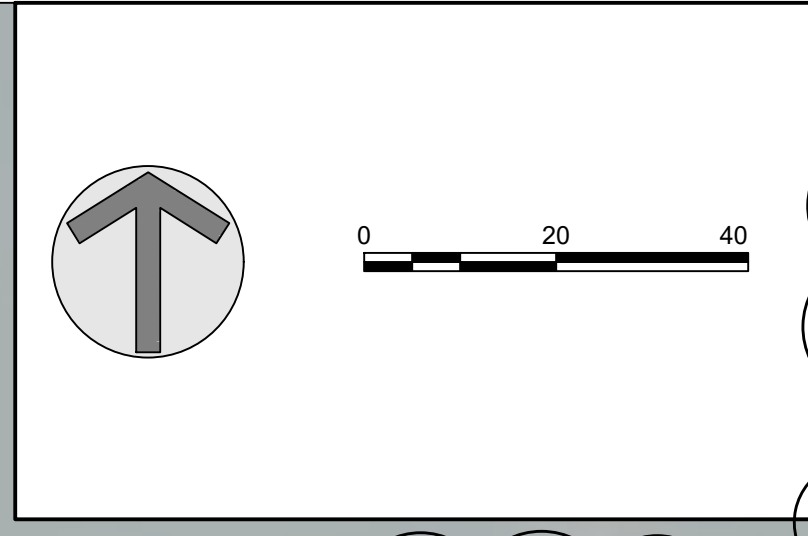
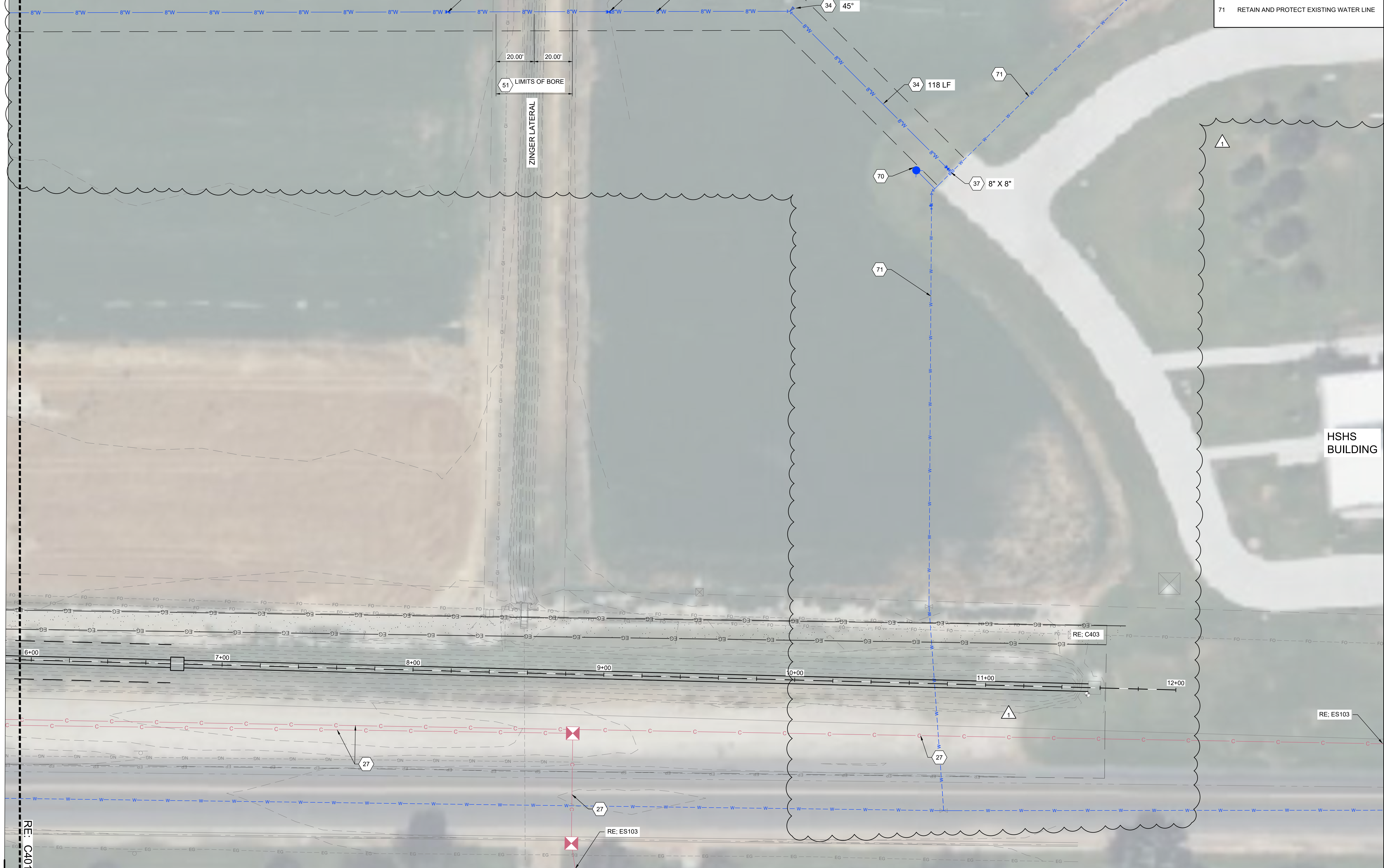
Revisions	
#	Description
1	04/17/24 ADDENDUM 1

**CIVIL UTILITY PLAN**

**C401**

DBS STAMP

MATCHLINE



- SHEET KEYNOTES**
- 19 INSTALL POTABLE WATER LINE
  - 27 INSTALL DRY CONDUIT; RE: ELECTRICAL PLAN SHEETS FOR DETAILS AND ROUTING - COORDINATE WITH CSI
  - 29 INSTALL TEE
  - 34 INSTALL BEND AND THRUST BLOCK
  - 39 INSTALL CITY APPROVED HOT TAP SADDLE
  - 42 INSTALL VALVE BOX AND LID; RE: TFSD -406
  - 51 JACK & BORE 8" WATERLINE IN STEEL CASING. PERFORM WORK IN ACCORDANCE WITH ISPPWC SECTION 308; RE: ISPPWC SD-307
  - 70 RETAIN AND PROTECT EXISTING FIRE HYDRANT
  - 71 RETAIN AND PROTECT EXISTING WATER LINE

**INTEGRUS**  
 A COLLABORATION OF YGH & INTEGRUS ARCHITECTURE  
 10 SOUTH CEDAR STREET, SUITE 100  
 MERIDIAN, ID 83402  
 TELEPHONE: (509) 338-8661 FAX: (509) 338-2194  
**Myers Anderson**

**KELLER ASSOCIATES**  
 100 East River Street, Suite 100  
 Meridian, ID 83402  
 (208) 788-1992



**DPW Project No. 22-091**  
**COLLEGE OF SOUTHERN IDAHO**  
**CSI Diesel Mechanics Facility**  
 315 Falls Ave, Twin Falls, ID 83301

Date:	4/17/2024
Job No.:	Proj # 22250.00
Drawn By:	CM
Checked by:	TC

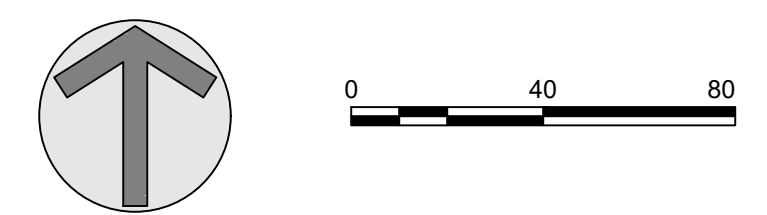
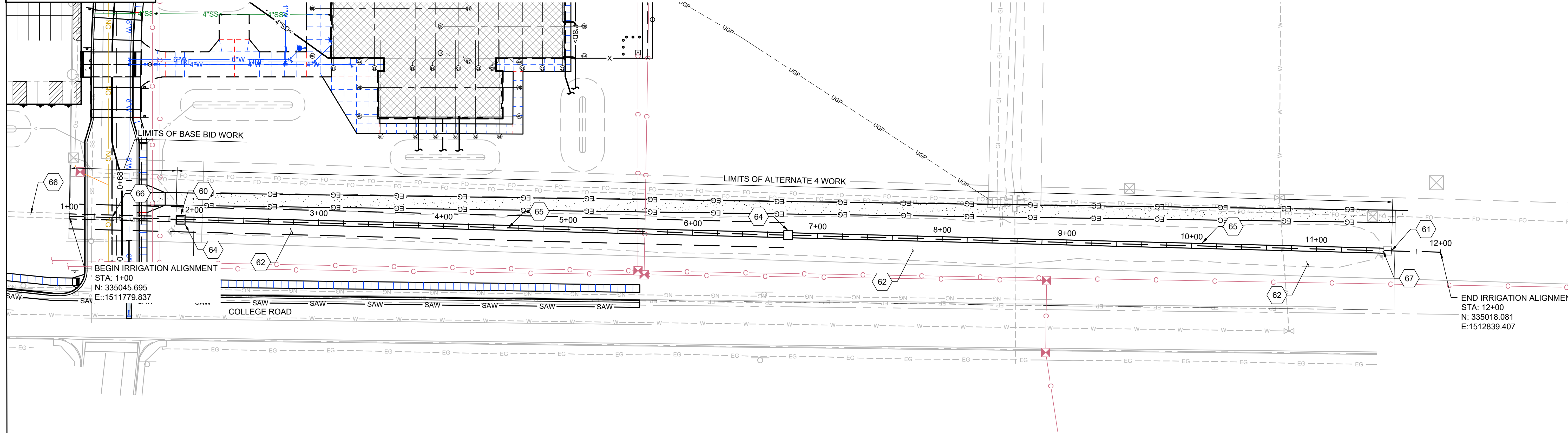
  

Revisions		
#	Date	Description
1	04/17/24	ADDENDUM 1

**CIVIL UTILITY PLAN**

**C402**

DBS STAMP



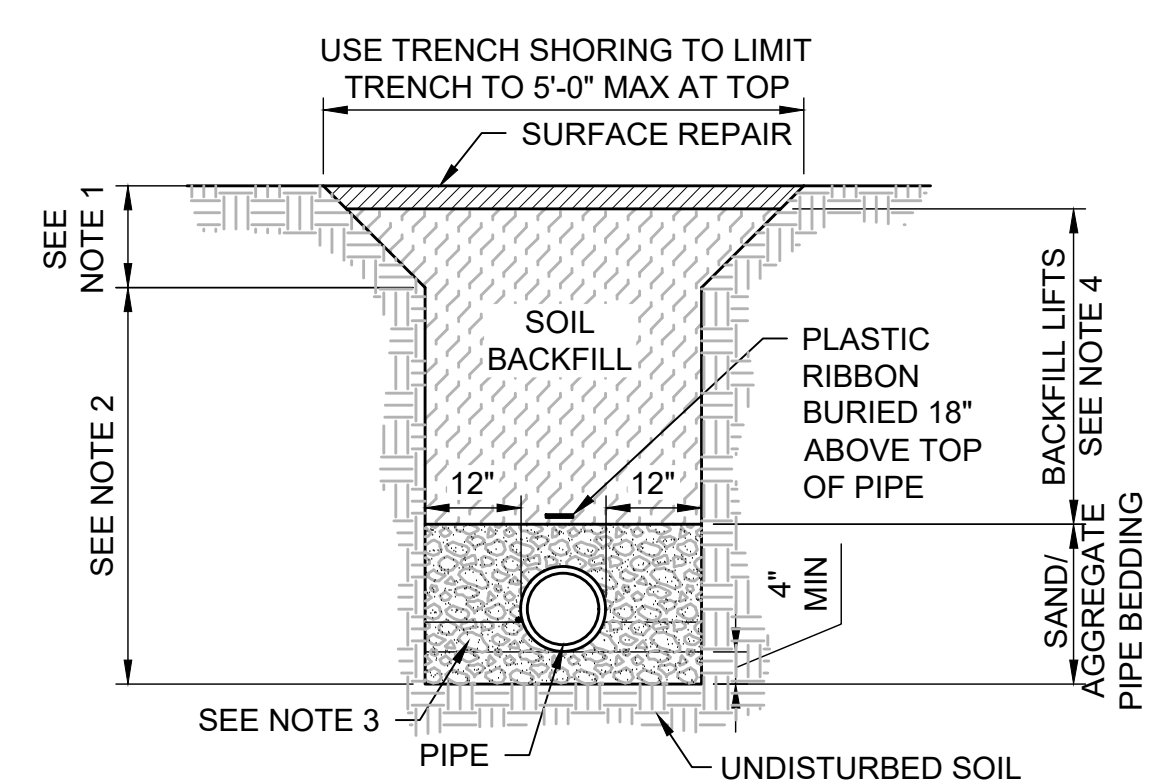
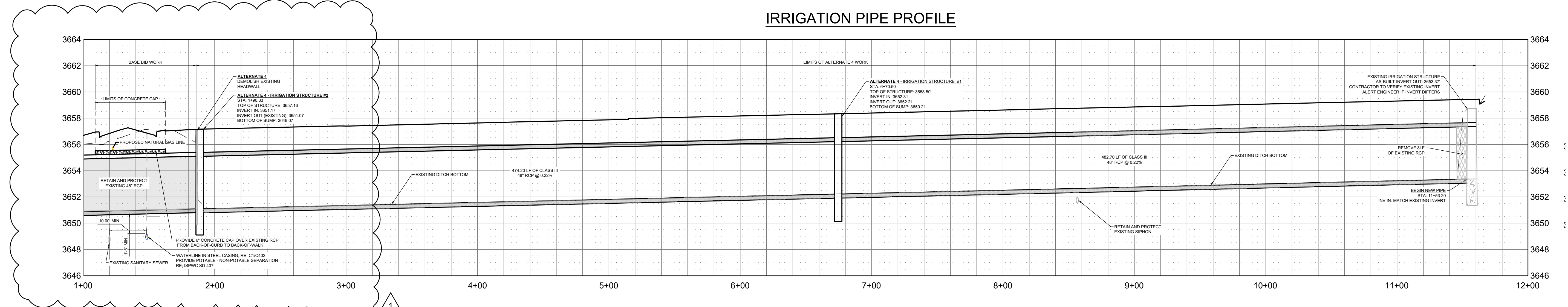
GENERAL SHEET NOTES

- EXISTING UTILITIES ARE SHOWN IN AN APPROXIMATE LOCATION. CONTRACTOR TO VERIFY EXISTING UNDERGROUND UTILITIES PRIOR TO CONSTRUCTION. SEE UTILITY PLANS FOR MORE INFORMATION.
- FURNISH MATERIALS WHERE "INSTALL", "PLACE" OR "CONSTRUCT" IS REQUIRED UNLESS NOTED OTHERWISE.
- AREAS DISTURBED BY CONSTRUCTION WHERE SURFACE REPAIR IS NOT INDICATED SHALL BE RESTORED TO CONDITIONS FOUND PRIOR TO CONSTRUCTION. THIS COST SHALL BE INCIDENTAL TO THE CONTRACT.

SHEET KEYNOTES

- DEMOLISH EXISTING CONCRETE HEADWALL STRUCTURE
- RETAIN AND PROTECT EXISTING CONCRETE IRRIGATION STRUCTURE
- CLEAR AND GRUB BOTTOM AND SIDE OF EXISTING DITCH TO A DEPTH OF 8 INCHES
- RETAIN AND PROTECT EXISTING PIPE
- CONSTRUCT 6' X 6' (INSIDE DIMENSION) IRRIGATION STRUCTURE. CONSTRUCT BOX IN ACCORDANCE WITH ISPWC SD-619. MODIFY STANDARD DRAWINGS ISPWC SD-619 TO PROVIDE 8" THICK CONCRETE WALLS ON ALL SIDES OF STRUCTURE.
- INSTALL 48" REINFORCED CONCRETE PIPE IN TYPICAL TRENCH SECTION; RE: C3012
- RETAIN & PROTECT EXISTING RCP PIPE
- CONNECT NEW PIPE TO EXISTING IRRIGATION STRUCTURE

IRRIGATION PIPE PROFILE



- NOTES:
- BACKSLOPE TRENCH WALLS TO PROVIDE STABLE SLOPE CONDITIONS PER OSHA REQUIREMENTS.
  - SHORE TRENCH WALLS TO MAINTAIN STABILITY OF EXCAVATION COMPLY WITH OSHA FOR SHORING.
  - HAND COMPACT UNDER HAUNCHES OF PIPE. BRING UP BACKFILL EVENLY AT EACH SIDE.
  - 6" BACKFILL LIFTS WITHIN UPPER ROW AND 8" BACKFILL LIFTS ELSEWHERE.
- C3012 PIPE INSTALLATION - SOIL BACKFILL  
1/2" = 1'-0"

**INTEGRUS**  
A COLLABORATION OF YGH & INTEGRUS ARCHITECTURE  
10 SOUTH CEDAR, SPokane, WA, 99204  
TELEPHONE: (509)337-8681 FAX: (509)337-2194

**KELLER ASSOCIATES**  
100 East River Street, Suite 100  
Spokane, WA 99201  
(509) 328-1992



DPW Project No. 22-091  
**COLLEGE OF SOUTHERN IDAHO**  
**CSI Diesel Mechanics Facility**  
315 Falls Ave, Twin Falls, ID 83301

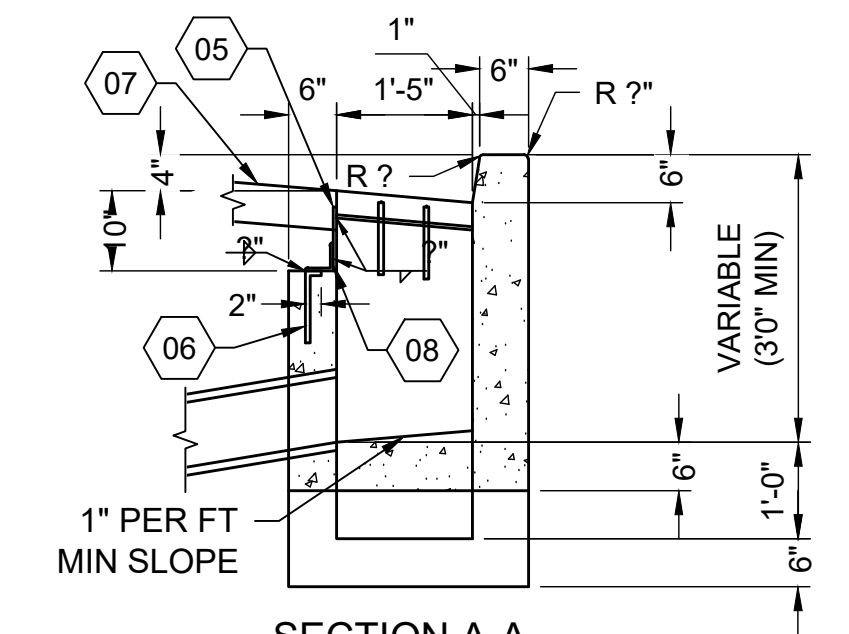
Date:	4/17/2024	
Job No.:	Proj # 22250.00	
Drawn By:	CM	
Checked by:	TC	
Revisions		
#	Date	Description
1	04/17/24	ADDENDUM 1

**CANAL PIPING PLAN & PROFILE**

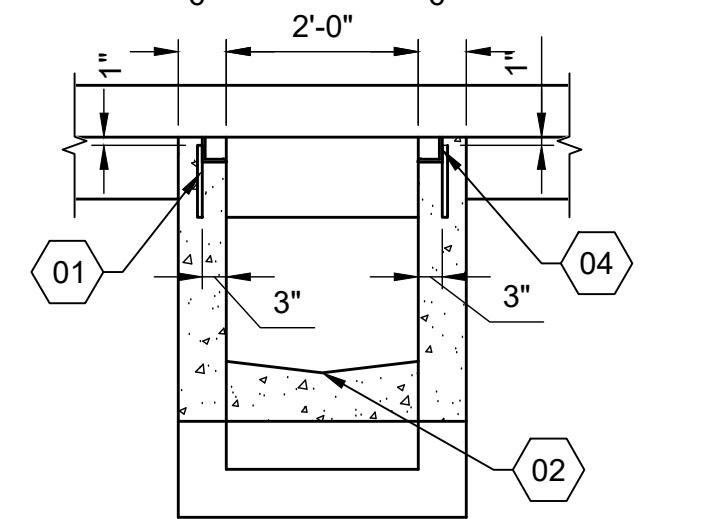
**C403**

DBS STAMP

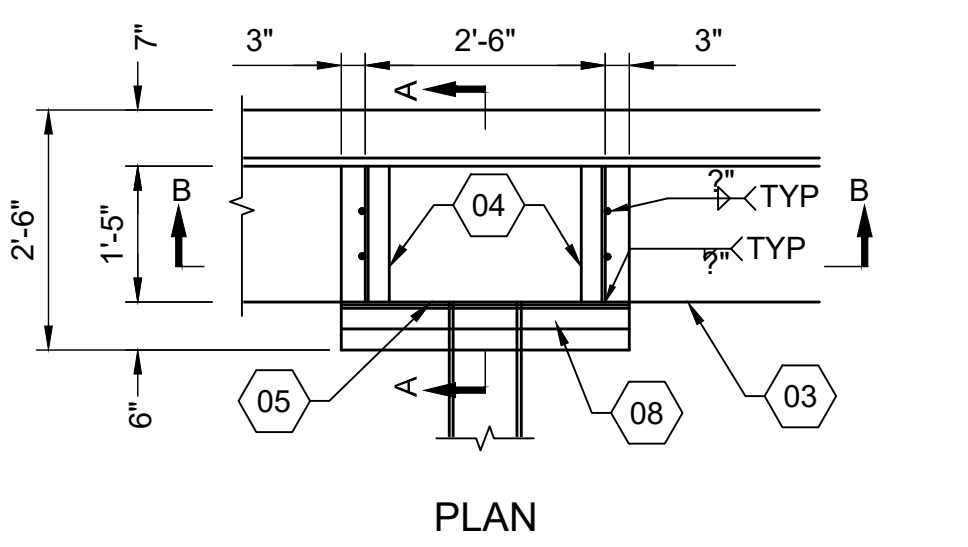
- KEYNOTES**
- 01 2 - 7" NO. 4 BAR EACH SIDE
  - 02 TROWEL SMOOTH
  - 03 EDGE OF GUTTER
  - 04 3 " X 3" X " X 1-5" ANGLE IRON
  - 05 " X 10" 3-0" A-36 STEEL PLATE
  - 06 3 - 7" NO. 4 BARS
  - 07 PAVEMENT SURFACE
  - 08 3 " X 3" X " X 3-0" ANGLE IRON



SECTION A-A  
6"

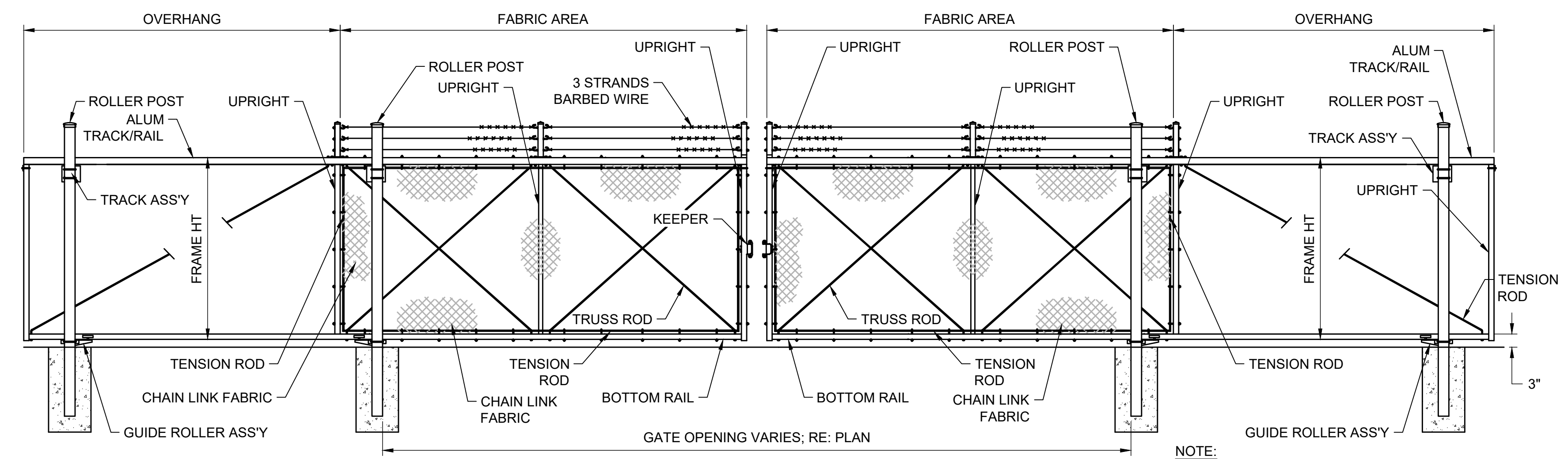


SECTION B-B



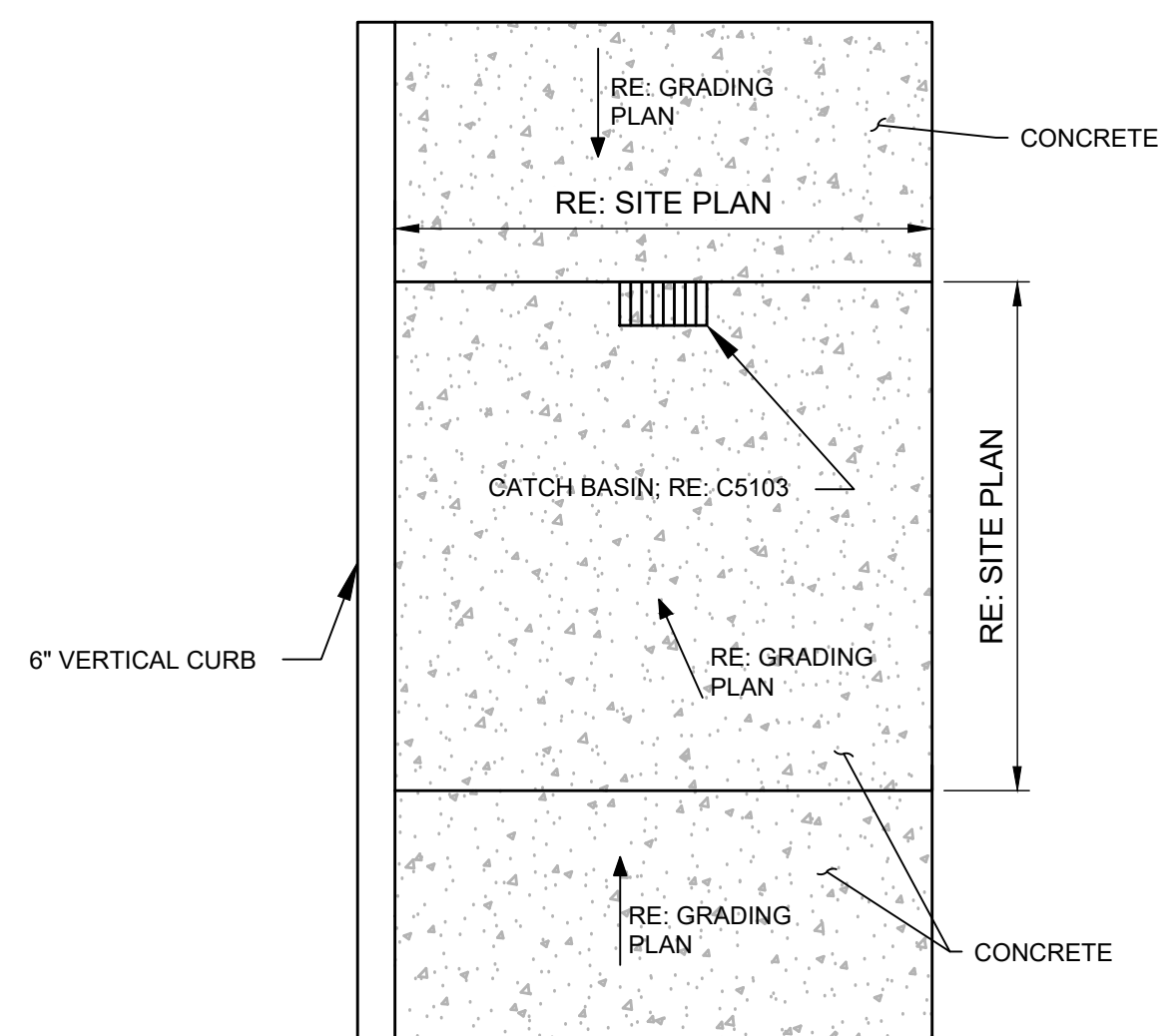
PLAN

C5104 INLET CATCH BASIN - CURB  
N.T.S.

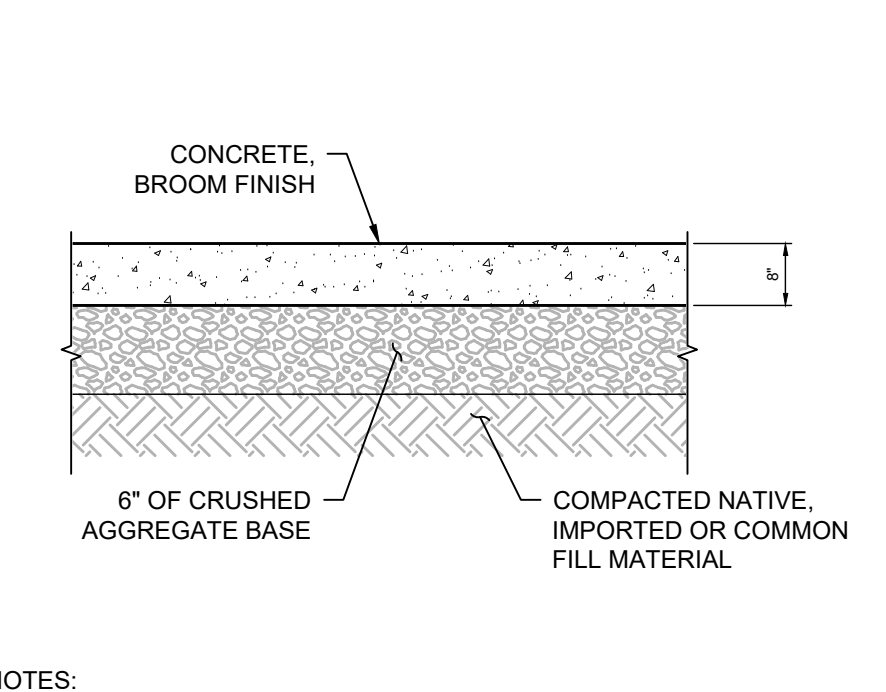


C0327 GATE - CHAIN LINK DOUBLE SLIDER WITH 3 STRANDS  
N.T.S.

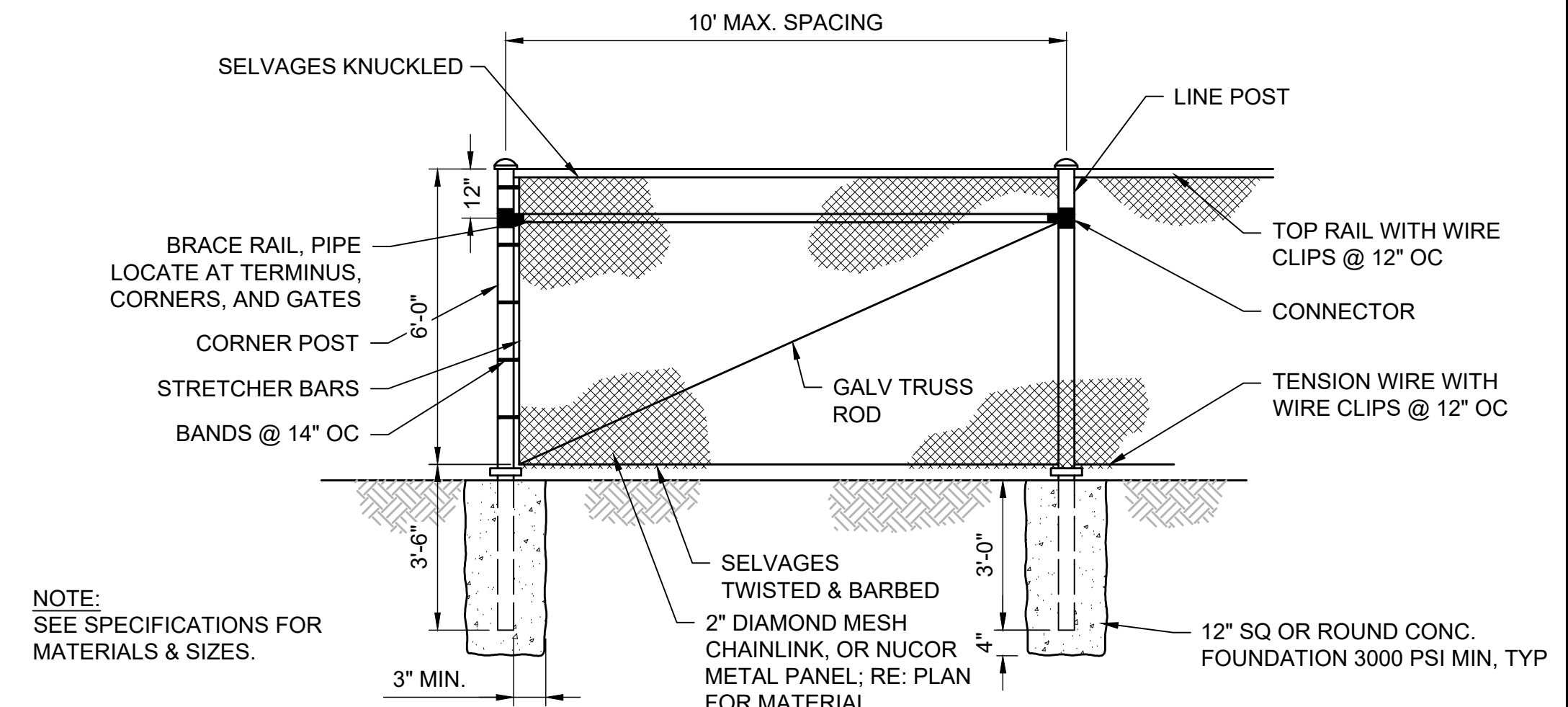
- NOTE:
- SEE SPECIFICATIONS FOR MATERIALS & SIZES.
  - SEE FENCE DETAIL FOR BRACING AT GATE.



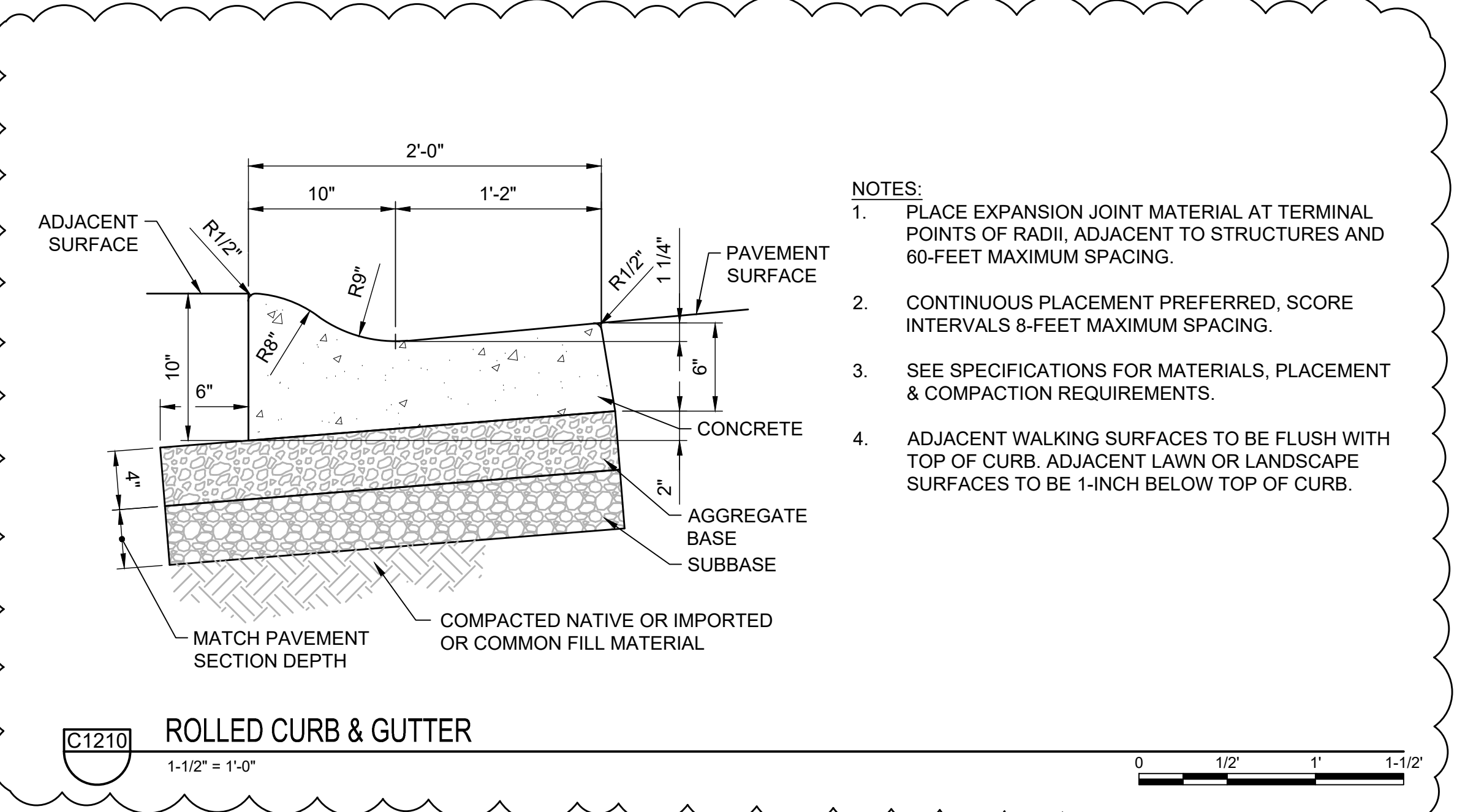
C01801 CONCRETE WASHBAY  
N.T.S.



- NOTES:
- PLACE EXPANSION JOINT MATERIAL ADJACENT TO STRUCTURES AND 60" MAXIMUM SPACING.
  - BROOM FINISH CONCRETE, CONTINUOUS PLACEMENT PREFERRED, SCORE INTERVALS AT 5-FEET MAXIMUM SPACING.
  - SEE SPECIFICATIONS FOR MATERIALS, PLACEMENT & CONSTRUCTION REQUIREMENTS.

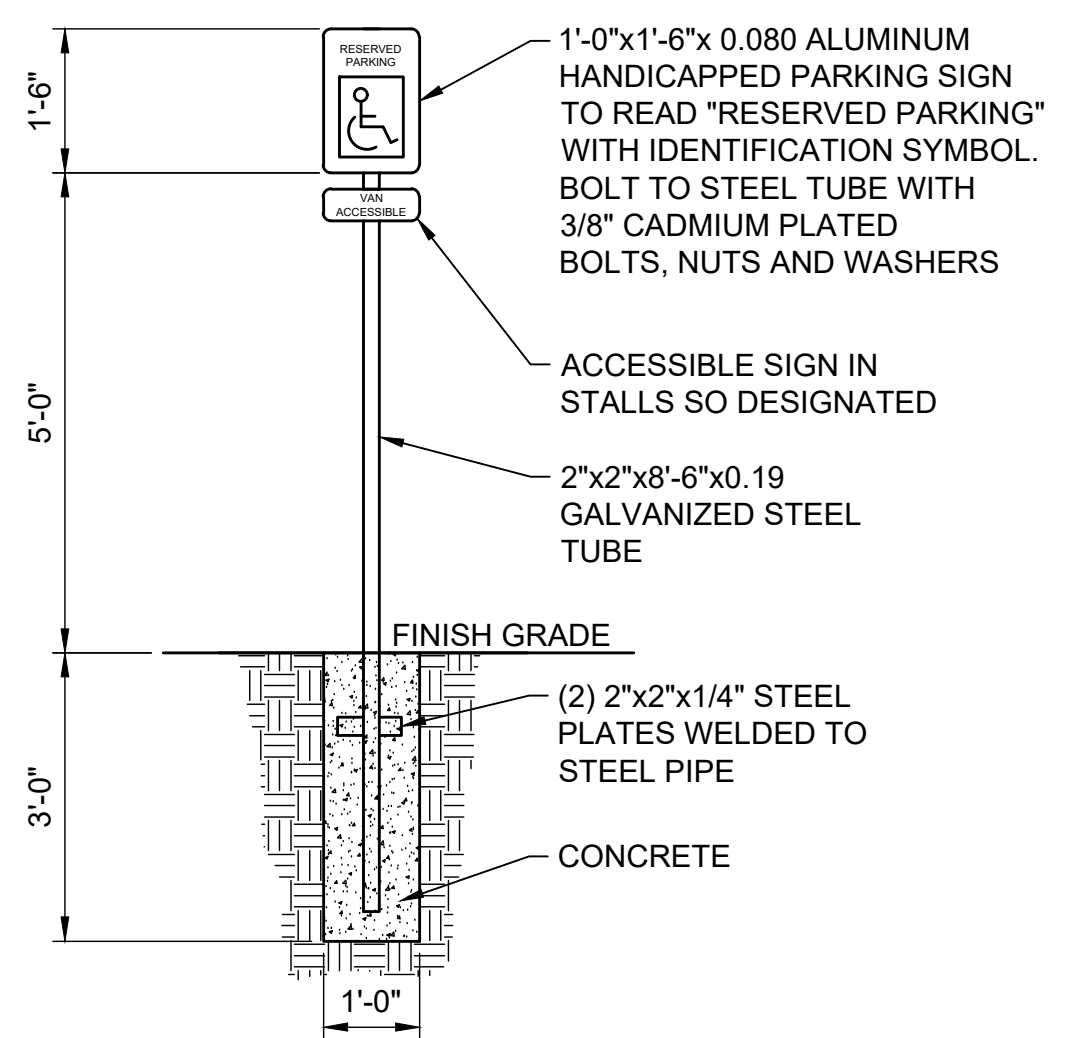


C0221 FENCE - CHAIN LINK/NUCOR PANEL  
N.T.S.

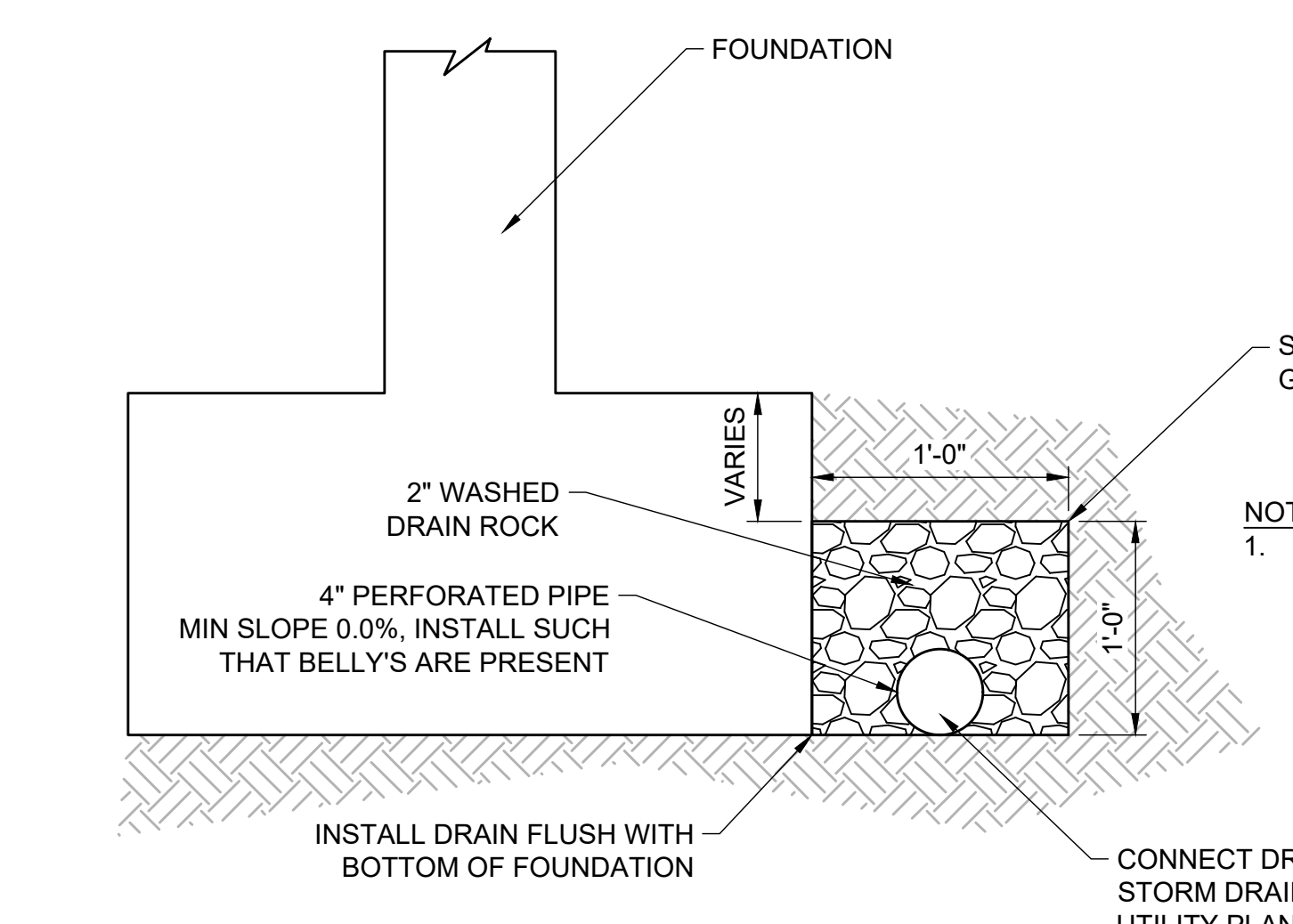
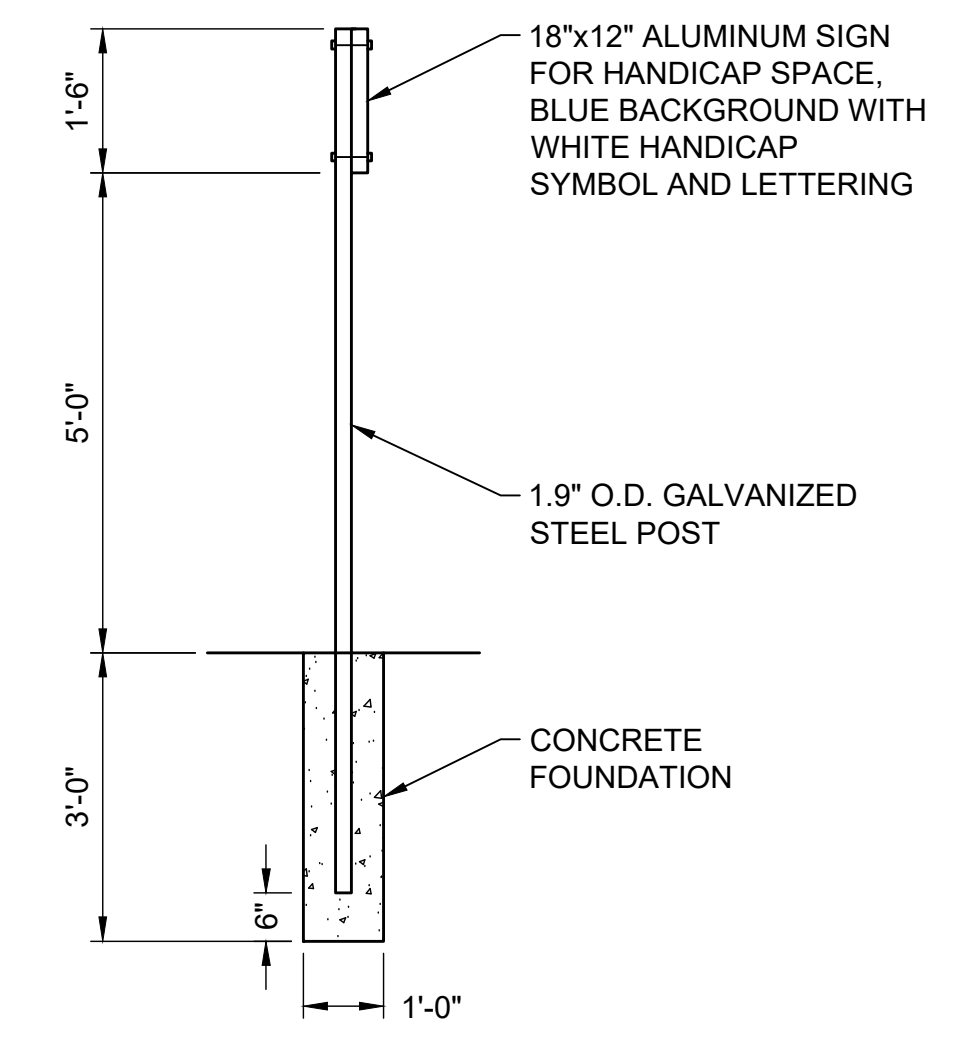


C1210 ROLLED CURB & GUTTER  
1-1/2" = 1'-0"

- NOTES:
- PLACE EXPANSION JOINT MATERIAL AT TERMINAL POINTS OF RADII, ADJACENT TO STRUCTURES AND 60-FEET MAXIMUM SPACING.
  - CONTINUOUS PLACEMENT PREFERRED, SCORE INTERVALS 8-FEET MAXIMUM SPACING.
  - SEE SPECIFICATIONS FOR MATERIALS, PLACEMENT & COMPACTION REQUIREMENTS.
  - ADJACENT WALKING SURFACES TO BE FLUSH WITH TOP OF CURB, ADJACENT LAWN OR LANDSCAPE SURFACES TO BE 1-INCH BELOW TOP OF CURB.

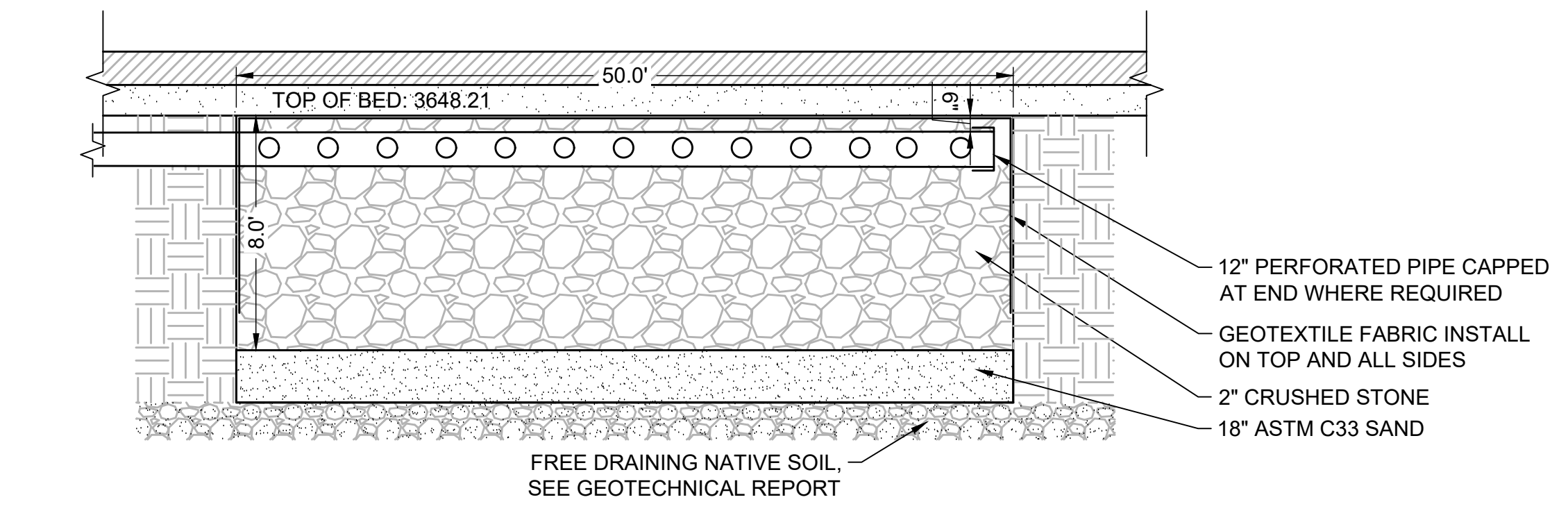


C8011 ACCESSIBLE PARKING SIGN  
1/2" = 1'-0"



C2111 FOUNTAIN DRAIN  
N.T.S.

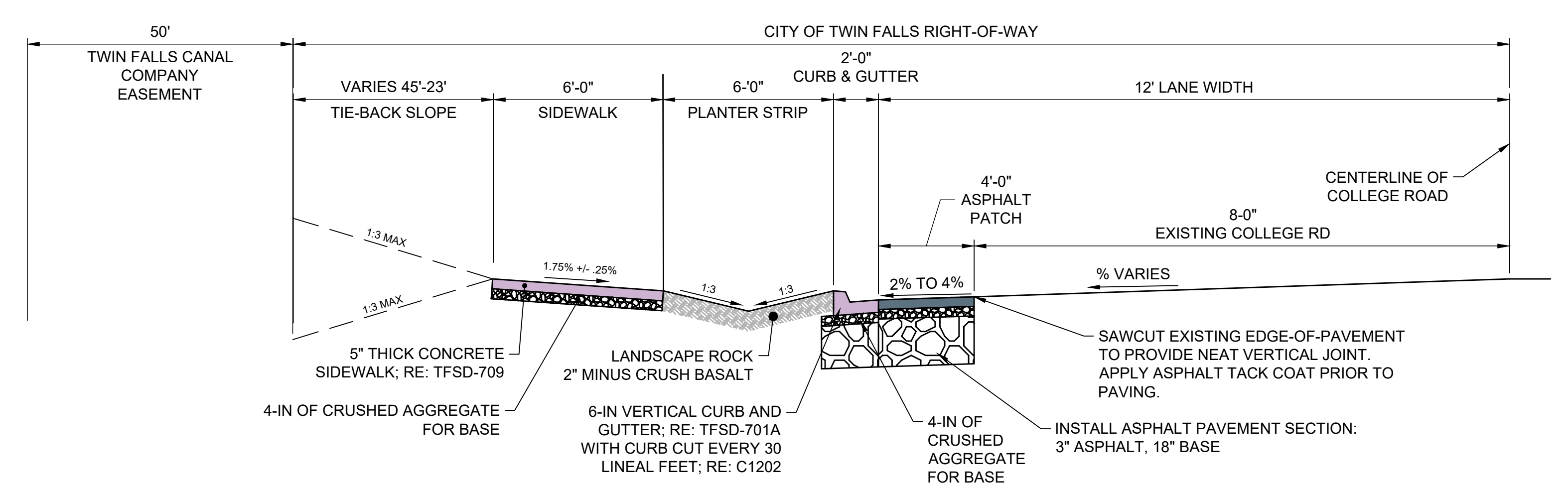
- NOTES:
- ACCEPTABLE PERF PIPE TYPES: PVC, HDPE, OR ADS



- NOTES:
- GEOTEXTILE FABRIC SHALL BE CONTECH NON -WOVEN GEOTEXTILE C-60NW OR APPROVED EQUAL.
  - ALL FABRIC SEAMS SHALL OVERLAP A MINIMUM OF 3- FEET.
  - PERFORATED PIPE SHALL HAVE A MINIMUM OF 18 1/4" DIAMETER HOLES PER LINER FOOT OF PIPE.
  - GROUND WATER NOT ANTICIPATED. NOTIFY ENGINEER IMMEDIATELY IF GROUND WATER IS ENCOUNTERED

C5412 SEEPAGE BED CROSS SECTION  
N.T.S.

SEEPAGE BED TABLE	
BED	20 X 50 X 8



A1 N COLLEGE ROAD TYPICAL SECTION  
N.T.S.

**INTEGRUS**  
A COLLABORATION OF YGH & INTEGRUS ARCHITECTURE  
10 SOUTH CEDAR, SPOKANE, WA, 99204  
TELEPHONE: (509)338-8881 FAX: (509)338-2194

**KELLER ASSOCIATES**  
100 East River Street, Suite 110  
Meridian, ID 83442  
(208) 788-1992

PROFESSIONAL ENGINEER  
LICENSED  
20184  
04-20-2024  
STATE OF IDAHO  
L. TRETTON, J. CENTURINI

DPW Project No. 22-091  
**COLLEGE OF SOUTHERN IDAHO**  
**CSI Diesel Mechanics Facility**  
315 Falls Ave, Twin Falls, ID 83301

Date: 4/17/2024  
Job No.: Proj # 22250.00  
Drawn By: CM  
Checked by: TC

Revisions		
#	Date	Description
1	04/17/24	ADDENDUM 1

**CIVIL DETAILS**

**C503**