

# Addendum No. 4

2/24/25

## College of Southern Idaho Leroy Craig Center

This addendum addresses the following:

Bid date is at 2:00PM, Thursday, February 27, 2025.

- Bidder Question – Controls
- Wall Detail A8.2 horizontal piece of rigid Insulation to be thermax system – see detail
- Geotech over x – see revised site bid proposal for BP-25 Sitework contractors only
- CSI: Data network color cabling standard

Bidding clarification on controls:

Section 1.4 in the specification 230900 for Direct Digital Controls spec specifically calls for Utah Yamas Controls which is who CSI told us to use on this project. All of the Schneider Electric components in Part 2 are what Yamas supplies.

Thanks,

Jason A. Rice, P.E., CxA

Principal

MUSGROVE ENGINEERING, P.A.

### **Data network color cabling standard for CSI:**

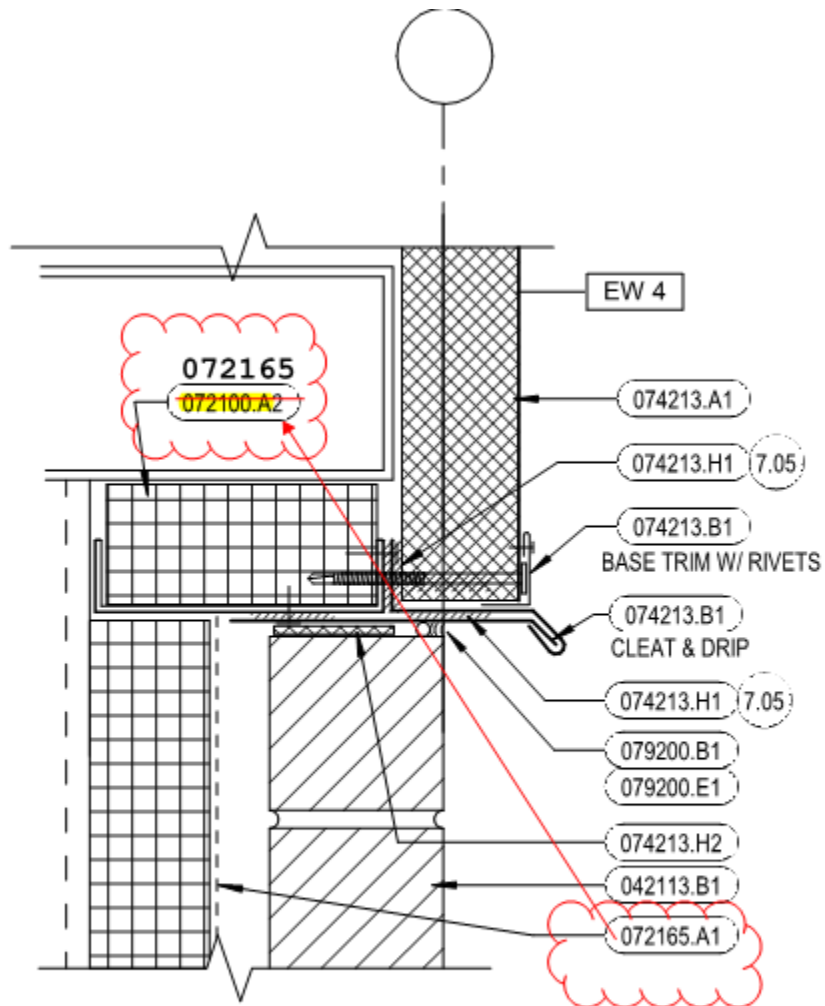
Pink/Orange - Standard data network (IP phones/Towers)

White - Analog POTS network

Grey - Utility network (Cameras/Zoom Rooms/TVs)

Blue - HVAC





③ WALL DETAIL Plan sheet A8.2  
 3" = 1'-0"

# CONTRACTOR BID PROPOSAL-SITWORK

College of Southern Idaho-Leroy Craig Jerome Center

TO: Starr Corporation  
2995 East 3600 North  
Twin Falls, Idaho 83301  
[csibids@starrcorporation.com](mailto:csibids@starrcorporation.com)

BIDDER: \_\_\_\_\_

The Bidder, having examined the bidding and contract documents, and the site of the proposed work and being familiar with all of the conditions surrounding the construction of the proposed project including the availability of materials and labor, hereby proposes to furnish all labor, equipment, materials and supplies to complete the work as outlined in the contract documents and at the prices stated below. These prices are to cover all expenses incurred in performing the work required under the Contract Documents of which this proposal is a part.

The preliminary construction schedule is included with the bid documents to provide a general understanding of the schedule requirements and the crew size required to meet this schedule. Bidder agrees to immediately begin submittals. Bidder to submit completed shop drawings within two weeks of receipt of contract.

Bidder acknowledges receipt of Addenda No. \_\_\_\_\_, \_\_\_\_\_, \_\_\_\_\_, \_\_\_\_\_

Bid Package No. 25 Bid Package Description: Sitework

Amount (numerically) \$ \_\_\_\_\_

Amount (written) \_\_\_\_\_

Please provide unit prices for the following items. Unit to be multiplied by the approximate quantity for bid comparison. Actual payment based on "neat" surveyed quantities, not load count or scale tickets.

Over excavation and removal of unsuitable soils

Unit Price \$ \_\_\_\_\_/Cubic Yard

3,000CY X \$ \_\_\_\_\_/CY= \_\_\_\_\_

Import and installation of additional structural fill

Unit Price \$ \_\_\_\_\_/Cubic Yard

3,000CY X \$ \_\_\_\_\_/CY= \_\_\_\_\_

Rock breaking and removal

Unit Price \$ \_\_\_\_\_/Cubic Yard

300CY X \$ \_\_\_\_\_/CY= \_\_\_\_\_



Payment and Performance Bond may be required. Price to provide Payment and Performance Bond for the work associated with this bid package.

Amount (numerically) \$ \_\_\_\_\_

Amount (written) \_\_\_\_\_

Bidder understands that Starr Corporation reserves the right to reject any or all bids and to waive any informalities in the bidding.

The bidder agrees that this bid shall be good and may not be withdrawn for a period of 30 calendar days after the scheduled closing time for receiving bids.

Any modification or addition to this Bid Proposal may render the bid unresponsive and void.

The Undersigned notifies that he is of this date duly licensed as an Idaho Public Works Contractor and further that he possesses Idaho Public Works Contractor's License No. \_\_\_\_\_ and is domiciled in the State of \_\_\_\_\_.

Contractor Registration Number RCE \_\_\_\_\_.

Dated this \_\_\_\_\_ day of \_\_\_\_\_, 2025.  
(date) (month)

Respectfully submitted,

By: \_\_\_\_\_  
(Company)

*Corporate Seal, if applicable*

\_\_\_\_\_  
(Business Address)

\_\_\_\_\_  
(Signature)

\_\_\_\_\_  
(Title)

\_\_\_\_\_  
(Telephone Number)

***Include the following with your completed bid form:***

**Drug and Alcohol-Free Workplace Affidavit**



# CONTRACTOR BID PROPOSAL-SITWORK

College of Southern Idaho-Leroy Craig Jerome Center

TO: Starr Corporation  
2995 East 3600 North  
Twin Falls, Idaho 83301  
[csibids@starrcorporation.com](mailto:csibids@starrcorporation.com)

BIDDER: \_\_\_\_\_

The Bidder, having examined the bidding and contract documents, and the site of the proposed work and being familiar with all of the conditions surrounding the construction of the proposed project including the availability of materials and labor, hereby proposes to furnish all labor, equipment, materials and supplies to complete the work as outlined in the contract documents and at the prices stated below. These prices are to cover all expenses incurred in performing the work required under the Contract Documents of which this proposal is a part.

The preliminary construction schedule is included with the bid documents to provide a general understanding of the schedule requirements and the crew size required to meet this schedule. Bidder agrees to immediately begin submittals. Bidder to submit completed shop drawings within two weeks of receipt of contract.

Bidder acknowledges receipt of Addenda No. \_\_\_\_\_, \_\_\_\_\_, \_\_\_\_\_, \_\_\_\_\_

Bid Package No. 25 Bid Package Description: Sitework

Amount (numerically) \$ \_\_\_\_\_

Amount (written) \_\_\_\_\_

Please provide unit prices for the following items. Unit to be multiplied by the approximate quantity for bid comparison. Actual payment based on "neat" surveyed quantities, not load count or scale tickets.

Over excavation and removal of unsuitable soils

Unit Price \$ \_\_\_\_\_/Cubic Yard

3,000CY X \$ \_\_\_\_\_/CY= \_\_\_\_\_

Import and installation of additional structural fill

Unit Price \$ \_\_\_\_\_/Cubic Yard

3,000CY X \$ \_\_\_\_\_/CY= \_\_\_\_\_

Rock breaking and removal

Unit Price \$ \_\_\_\_\_/Cubic Yard

300CY X \$ \_\_\_\_\_/CY= \_\_\_\_\_



Payment and Performance Bond may be required. Price to provide Payment and Performance Bond for the work associated with this bid package.

Amount (numerically) \$ \_\_\_\_\_

Amount (written) \_\_\_\_\_

Bidder understands that Starr Corporation reserves the right to reject any or all bids and to waive any informalities in the bidding.

The bidder agrees that this bid shall be good and may not be withdrawn for a period of 30 calendar days after the scheduled closing time for receiving bids.

Any modification or addition to this Bid Proposal may render the bid unresponsive and void.

The Undersigned notifies that he is of this date duly licensed as an Idaho Public Works Contractor and further that he possesses Idaho Public Works Contractor's License No. \_\_\_\_\_ and is domiciled in the State of \_\_\_\_\_.

Contractor Registration Number RCE \_\_\_\_\_.

Dated this \_\_\_\_\_ day of \_\_\_\_\_, 2025.  
(date) (month)

Respectfully submitted,

By: \_\_\_\_\_  
(Company)

*Corporate Seal, if applicable*

\_\_\_\_\_  
(Business Address)

\_\_\_\_\_  
(Signature)

\_\_\_\_\_  
(Title)

\_\_\_\_\_  
(Telephone Number)

***Include the following with your completed bid form:***

**Drug and Alcohol-Free Workplace Affidavit**

